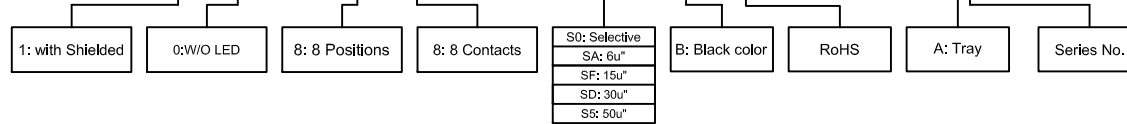


ORDER INFORMATION

5 4 M R J M S 1 0 - 8 8 0 0 x x B U A - 2 6 8 - 0 1



Electrical:

- 1.Voltage Rating:125 Vac Rms.
- 2.Current Rating:1.5 Amp.
- 3.Contact Resistance:40 Milliohms Max.
- 4.Insulation Resistance:1000 Megohms Min @500 Vdc.
- 5.Dielectric Strength:1000 Vac Rms 60Hz, 1Min.

Mechanical:

- 1.Operating:750 Cycles Min.

Environmental:

- 1.Storage:-40°C To +85°C.
- 2.Operation:-20°C To +75°C.
- 3.IR Reflow Soldering Temperature:255°C To 265°C.

Mates With Modular Plug Conforming To FCC Part 68, Subpart F.

MATERIALS:

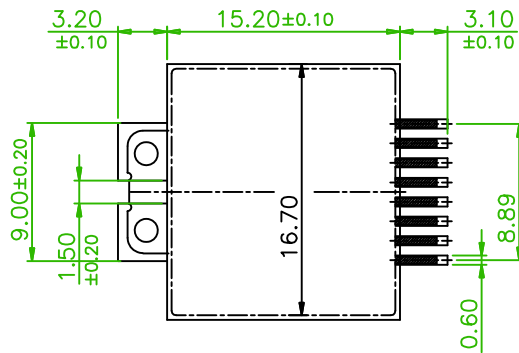
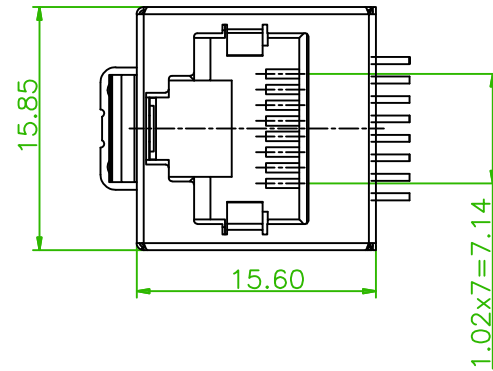
PLASTIC HOUSING: HIGH TEMP. THERMOPLASTIC
FLAMMABILITY RATING UL 94V-0.

CONTACTS: PHOSPHOR BRONZE

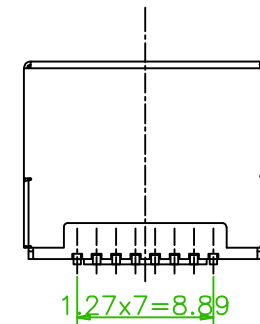
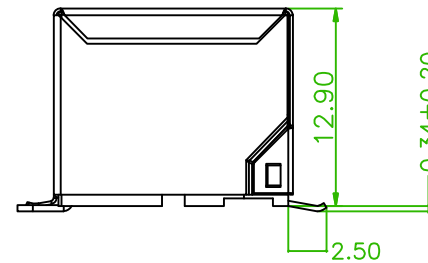
PLATING: GOLD PLATING OVER NICKEL IN CONTACT.
TIN PLATING OVER NICKEL IN SOLDER AREA.

SOLDER PAD: BRASS WITH TIN PLATING OVER NICKEL.

SHIELDED: BRASS WITH TIN PLATING.



PCB LAYOUT/TOP VIEW



<p>Amtek Technology Co., Ltd. TEL: 886-2-2260-6878 FAX: 886-2-2260-8030</p>	品名 TITLE	MODULAR JACK SHIELDED 8P8C TOP ENTRY			頁數 Page	1/1
	品號 PART NO.	54MRJMS10-8800xxBUA-268-01			繪圖 DRAWN	Ann 2014/05/07
	圖號 DRAWING NO.		版本 REV.	A	核對 CHECKED	Hank 2014/05/07
	客戶品號 CUSTOMER P/N		比例 SCALE	None	承認 APPROVED	Joey 2014/05/07
	公差 TOLERANCE	.X ± 0.38 .XX ± 0.25	單位 UNIT	mm	THIRD ANGLE PROJECTION	

REV.	ECN NO. OR DESCRIPTION	REVISED	DATE