

SPECIFICATION

Current Rating: 3A, 24V DC
 Insulation Resistance: 100MΩ Min.
 Contact Resistance: 30mΩ Max.
 Dielectric Voltage: 500VAC for one minute
 Operation Temperature: -25°C to +70°C
 Insertion and Extraction Force: 3N to 30N

ORDER INFORMATION

5 D J X X D C 0 2 - 0 3 T 0

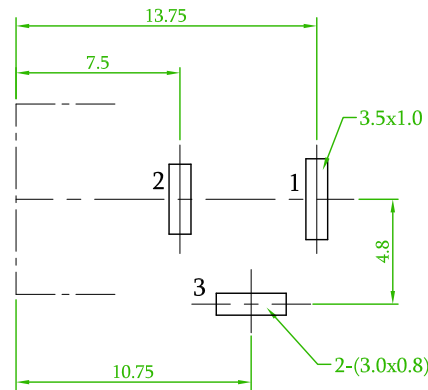
PIN
20:φ2.00
25:φ2.50

No. of Pin
T0: Tin 100u"

B: Black
L: RoHS+PBT

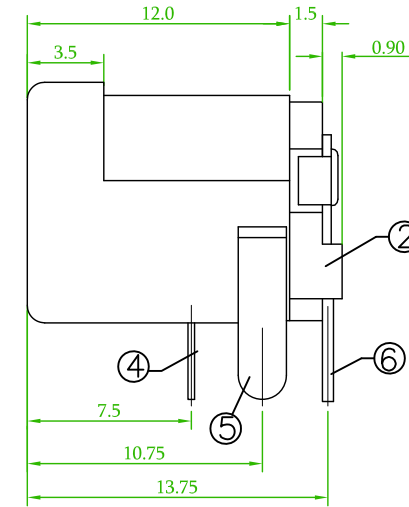
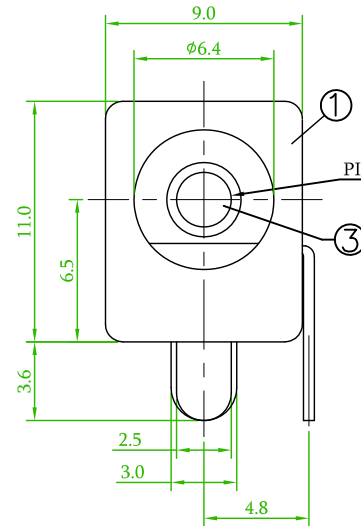


PIN	SCHEMATIC
φ2.0	
φ2.5	



T:1.6 Dimensions of PC board holes

Tolerance : ±0.1(Printed-top view)



LTR	PART NAME	QTY	MATERIAL	REMARK
6	TERMINAL	1	C2680 t=0.5	Sn PLATED
5	SHUNT TERMINAL	1	C2680 t=0.5	Sn PLATED
4	TIP TERMINAL	1	C5191 t=0.3	Sn PLATED
3	PIN	1	BRASS BAR	Ni PLATED
2	COVER	1	PBT	UL-94V0(BLACK)
1	BODY	1	PBT	UL-94V0(BLACK)

 Amtek Technology Co., Ltd. TEL: 886-2-2260-6878 FAX: 886-2-2260-8030	品名 TITLE	DC JACK R/A DIP TYPE				頁數 Page	1/1
	品號 PART NO.	5DJXXDC02-03T0BLB-04				繪圖 DRAWN	David 2019/05/20
	圖號 DRAWING NO.	GW084-DV090	版本 REV.	A	核對 CHECKED	Josh 2019/05/20	
	客戶品號 CUSTOMER P/N		比例 SCALE	None	承認 APPROVED	Josh 2019/05/20	
	公差 TOLERANCE	± 0.30	單位 UNIT	mm	THIRD ANGLE PROJECTION		

REV.	ECN NO. OR DESCRIPTION	REVISED	DATE