

**SPECIFICATIONS**

Current Rating: 2 AMP, DC 12V  
 1 AMP, AC 100V  
 Insulation Resistance: 100MΩ Min.  
 Contact Resistance: 30mΩ Max.  
 Dielectric Voltage: 500V AC for one minute  
 Operation Temperature: -25°C to +70°C

**MATERIAL**

Insulator: Thermoplastic  
 Contact Pin: Copper Alloy

**ORDER INFORMATION**

5 E J 3 5 D C 0 2 - 0 3 T 0 X L A - 0 1

C: R/A  
 W/O Shell

T0: Tin Plated

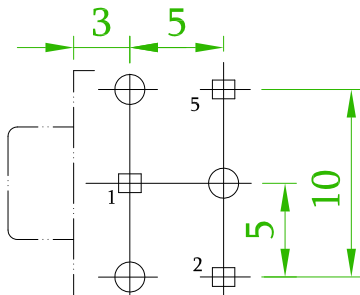
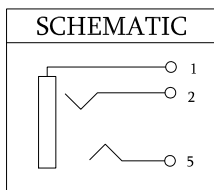
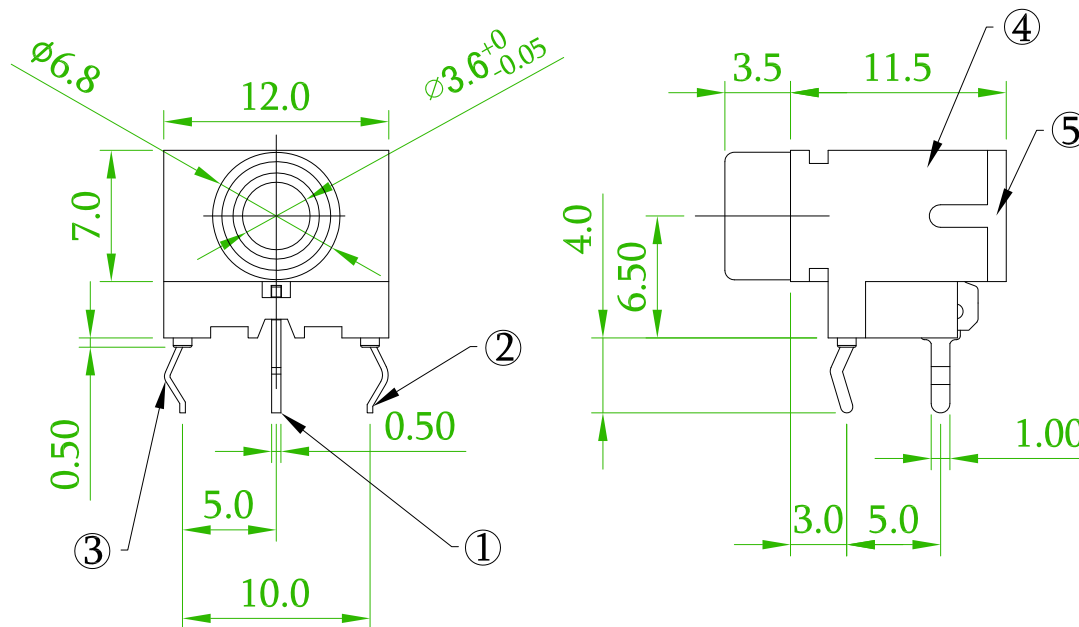
B: Black  
 U: Blue

RoHS

A: Tray



|     |              |     |                   |            |
|-----|--------------|-----|-------------------|------------|
| 5   | BACK COVER   | 1   | PBT G.F.          |            |
| 4   | HOUSING      | 1   | PBT G.F.          |            |
| 3   | TIP SPRING   | 1   | Copper Alloy 0.30 | TIN PLATED |
| 2   | RING SPRING  | 1   | Copper Alloy 0.30 | TIN PLATED |
| 1   | GROUND TERM. | 1   | Copper Alloy 0.50 | TIN PLATED |
| LTR | PART NAME    | QTY | MATERIAL          | REMARK     |



Recommended PCB Layout  
 (PCB TOLERANCE ±0.1)

|      |                        |         |      |
|------|------------------------|---------|------|
| REV. | ECN NO. OR DESCRIPTION | REVISED | DATE |
|------|------------------------|---------|------|

|   |                      |                                  |             |     |                              |                     |
|---|----------------------|----------------------------------|-------------|-----|------------------------------|---------------------|
| <p>Amtek Technology Co., Ltd.<br/>                 TEL: 886-2-2260-6878<br/>                 FAX: 886-2-2260-8030</p> | 品名<br>TITLE          | EARPHONE JACK 3.5mm R/A DIP TYPE |             |     | 頁數<br>Page                   | 1/1                 |
|   | 品號<br>PART NO.       | 5EJ35DC02-03T0XLA-01             |             |     | 繪圖<br>DRAWN                  | Gary<br>2018/01/18  |
|   | 圖號<br>DRAWING NO.    | GW216-GA910                      | 版本<br>REV.  | A   | 核對<br>CHECKED                | Josh<br>2018/01/18  |
|   | 客戶品號<br>CUSTOMER P/N |                                  | 比例<br>SCALE | 1:1 | 承認<br>APPROVED               | Jason<br>2018/01/18 |
|   | 公差<br>TOLERANCE      | .X ±0.25<br>.XX ±0.13            | 單位<br>UNIT  | mm  | THIRD<br>ANGLE<br>PROJECTION |                     |