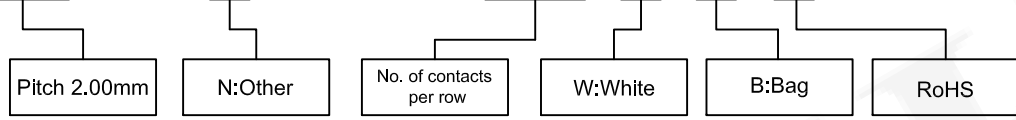


SPECIFICATIONS

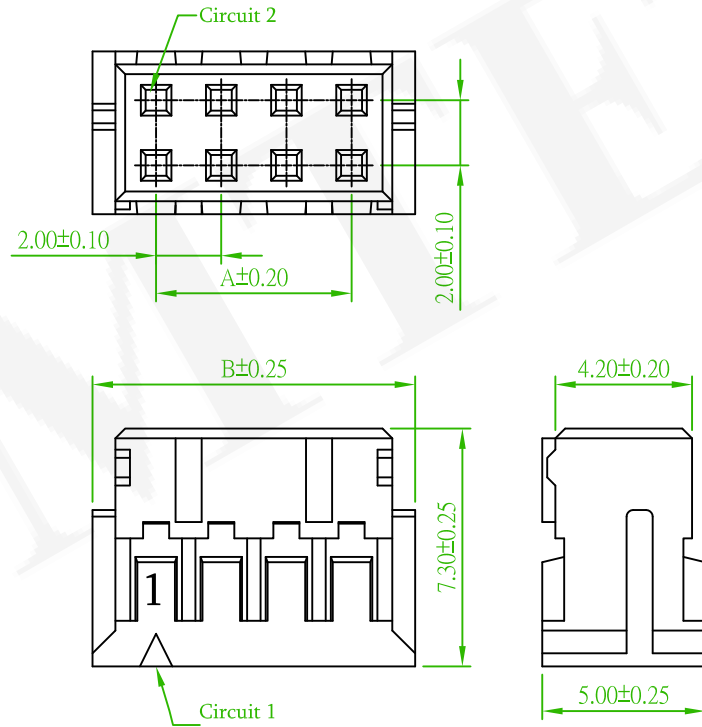
Current Rating: 3A AC,DC
 Voltage Rating: 250V AC,DC
 Temperature Range: -25°C ~ +85°C
 Contact Resistance: 10mΩ Max
 Insulation Resistance: 1000MΩ Min
 Withstanding Voltage: 800V AC/minute
 Material: Nylon 66,UL94V-0

ORDER INFORMATION

5 H 2 0 0 4 N 0 - 2 X X W B L 0 0 A 0 1


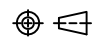


No. of contacts	Dimensions	
	A	B
2x02	2.00	5.90
2x03	4.00	7.90
2x04	6.00	9.90
2x05	8.00	11.90
2x06	10.00	13.90
2x07	12.00	15.90
2x08	14.00	17.90
2x09	16.00	19.90
2x10	18.00	21.90
2x11	20.00	23.90
2x12	22.00	25.90
2x13	24.00	27.90
2x14	26.00	29.90
2x15	28.00	31.90
2x16	30.00	33.90
2x17	32.00	35.90
2x18	34.00	37.90
2x19	36.00	39.90
2x20	38.00	41.90



Old Part No.:2004H-2XXW-L

REV.	ECN NO. OR DESCRIPTION	REVISED	DATE

 糧德精密有限公司 Amtek Technology Co., Ltd. TEL: 886-2-2260-6878 FAX: 886-2-2260-8030	品名 TITLE	2.0mm HOUSING			頁數 Page	1/1
	品號 PART NO.	5H2004N0-2XXWBL00A01			繪圖 DRAWN	Kent 2007/03/09
	圖號 DRAWING NO.	GW090-EL021	版本 REV.	A	核對 CHECKED	Paul 2007/03/09
	客戶品號 CUSTOMER P/N		比例 SCALE	None	承認 APPROVED	James 2007/03/09
	公差 TOLERANCE	.X ± 0.35	單位 UNIT	mm	THIRD ANGLE PROJECTION	
		.XX ± 0.25				