

Specifications

Current Rate:3 AMP

Insulation Resistance:1000M Ω Min.

Contact Resistance:20m Ω Max.

Dielectric Voltage:1000V AC for one minute

Operation Temperature:-40°C to +105°C

Material

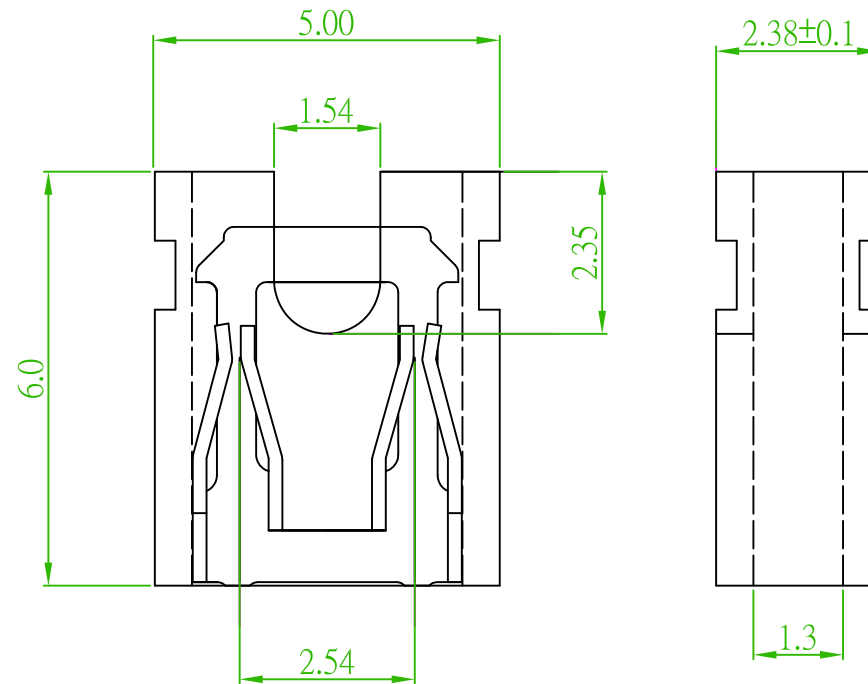
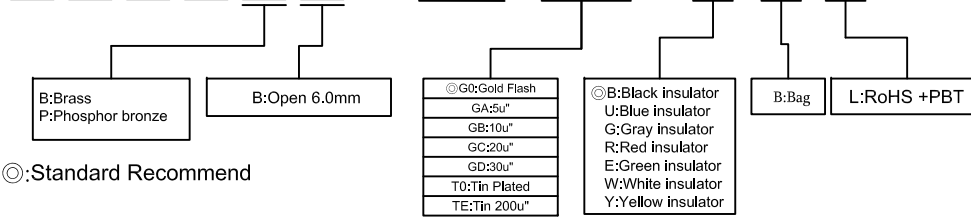
Insulator:P.B.T+30% Glass fiber,UL 94V-0

Contact Pin:Copper Alloy

Contact Plated:Gold over Nickel or Tin

ORDER INFORMATION

5 J P 1 X B - 2 1 X X X B L - 0 1



Old Part No: MJ1X-B-L

REV.	ECN NO. OR DESCRIPTION	REVISED	DATE

Amtek Technology Co., Ltd.
TEL: 886-2-2260-6878
FAX: 886-2-2260-8030

品名 TITLE	MINI JUMPER 2.54mm				頁數 Page	1/1
品號 PART NO.	5JP1XB-21XXXBL-01			繪圖 DRAWN	Jeff 2016/03/04	
圖號 DRAWING NO.	版本 REV.	A	核對 CHECKED	John 2016/03/04		
客戶品號 CUSTOMER P/N	比例 SCALE	None	承認 APPROVED	John 2016/03/04		
公差 TOLERANCE	.X ± 0.35	單位 UNIT	mm	THIRD ANGLE PROJECTION		
	.XX ± 0.25					