

MATERIAL

Insulator: Hi-Temp. Thermoplastic, UL 94V-0

Contact Pin: Copper Alloy

Shell: Stainless Steel



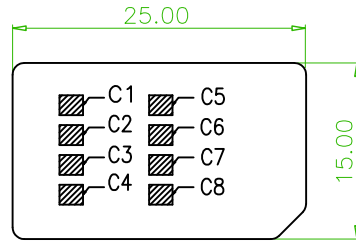
ORDER INFORMATION

5 K S I S - 0 6 S 0 N H A 0 X

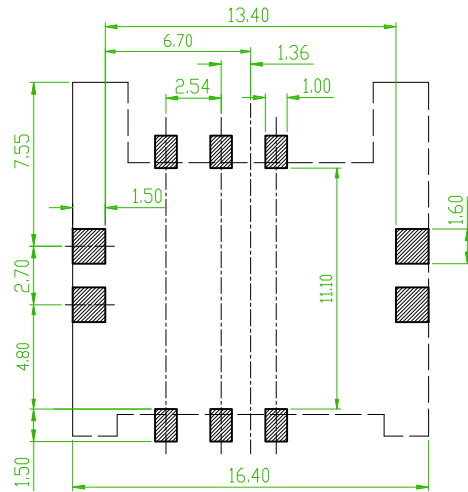
| | | | | | |
|------------------|-----------------|-----------------|-----------|---------------|------------------------------|
| S:Push-Pull Type | No. of contacts | S0:Selective Au | N:W/O Peg | H:T/R W/O Cap | 1:Dim A=1.50 2:Dim A=1.80 |
|------------------|-----------------|-----------------|-----------|---------------|------------------------------|



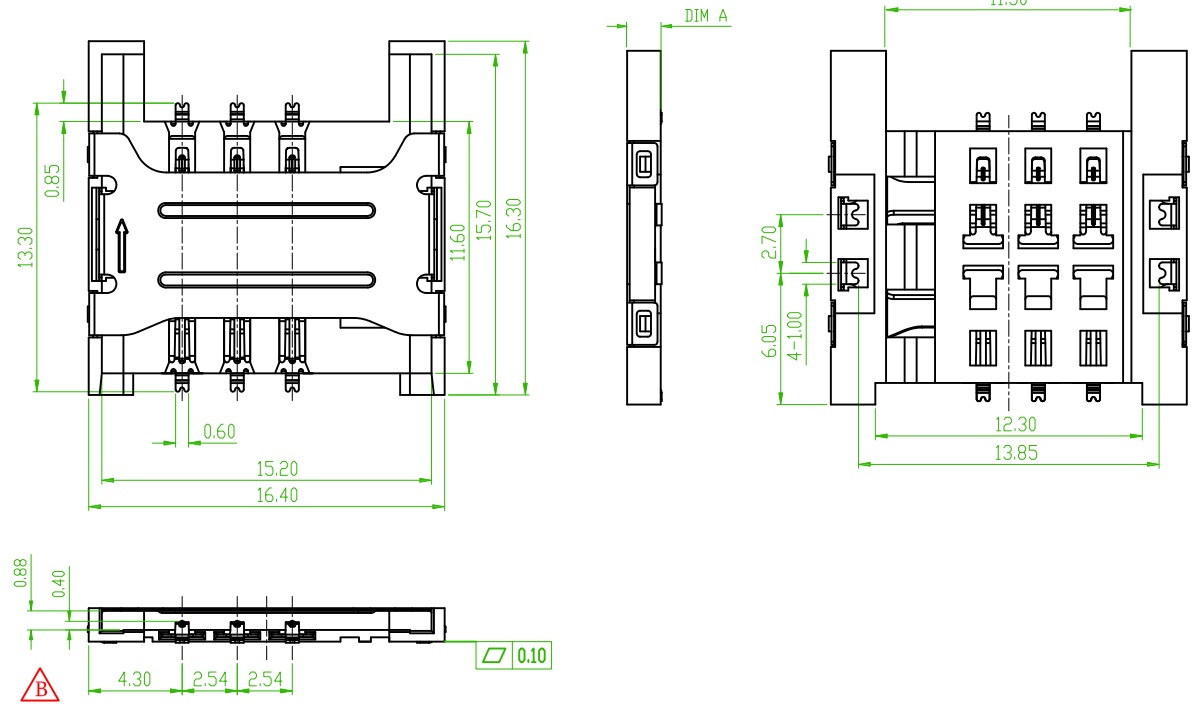
| PIN NO. | PIN NAME |
|---------|-------------------------|
| C 1 | Supply Voltage Vcc |
| C 2 | Reset (RST) |
| C 3 | Clock(CLK) |
| C 4 | N/A |
| C 5 | Ground |
| C 6 | Programming Voltage Vpp |
| C 7 | I/O |
| C 8 | N/A |



REFERENCE SIM CARD PLUG



RECOMMENDED PCB LAYOUT
TOLERANCE: ±0.05



Old P/N : 5SIMN1-06S0H-0X

| REV. | ECN NO. OR DESCRIPTION | REVISED | DATE |
|------|------------------------|---------|--------------------|
| B | Add the view | B | 2017/03/24 Gary |

Amtek Technology Co., Ltd.
 耀德精密有限公司
 TEL: 886-2-2260-6878
 FAX: 886-2-2260-8030

| 品名 TITLE | SIM CARD | | | | 頁數 Page | 1/1 |
|----------------------|---------------------|-------------|------------|----------------|------------------------------|--------------------|
| 品號 PART NO. | 5KSIS-06S0NHA0X | | | | 繪圖 DRAWN | Gary 2016/12/21 |
| 圖號 DRAWING NO. | GN108-GA078 | 版本 REV. | B | 核對 CHECKED | Jonny 2016/12/21 | |
| 客戶品號 CUSTOMER P/N | | 比例 SCALE | None | 承認 APPROVED | Aaron 2016/12/21 | |
| 公差 TOLERANCE | .X±0.38 .XX±0.25 | X°±3° | 單位 UNIT | mm | THIRD ANGLE PROJECTION | |