

ELECTRICAL

Voltage Rating:125V
 Current Rating:1.5A
 Contact Resistance:30 milliohms max.
 Insulation Resistance:500 megaohms min.
 Dielectric Withstanding Voltage:1000V

ORDER INFORMATION

5 R J 1 D S 0 0 N 0 X - X X X X 0 0 L - 260 - A X

0: W/O Shielded

N:W/O Ear
 E:With Ear

Number of position
 4:4P
 6:6P
 8:8P
 A:10P

Number of contact
 2:2C
 4:4C
 6:6C
 8:8C
 A:10C

S0:Selective Au flash
 SA:Selective 6u"
 SF:Selective15u"
 SD:Selective 30u"
 SH:Selective 50u"

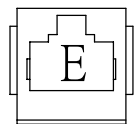
L:RoHS + P.B.T
 +Tray

1.Standard
 2.With keyway (8P,10P only)
 3. Offset latch (6P only)
 4.Gray
 5.White
 6.Yellow
 7.Red
 8.Blue

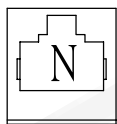


MATERIAL & FINISH

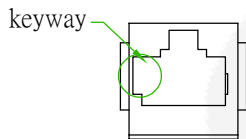
HOUSING: P.B.T. UL94V-0, BLACK or GRAY or White or Yellow or Red or Blue
 CONTACT: 0.35x0.42 mm thickness phosphor bronze,
 Plating:Gold plated over Nickel on contact area,
 Tin plated over Nickel on solder area.
 Temperature:-40°C to 85°C
 Durability:750 cycles min.



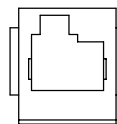
With Ear



Without Ear



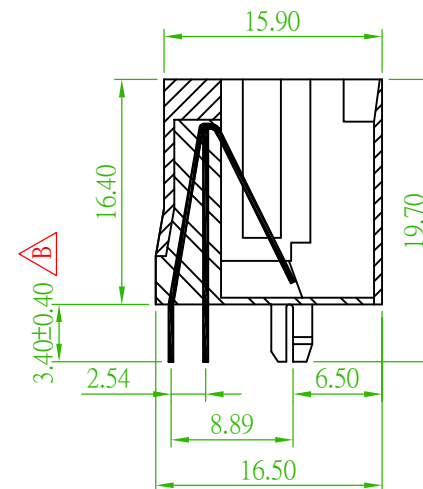
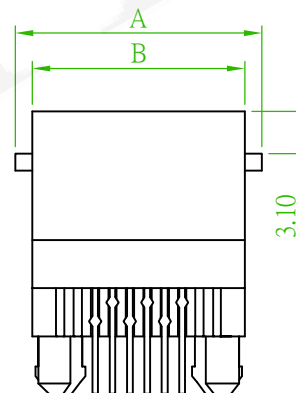
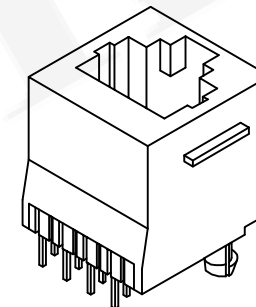
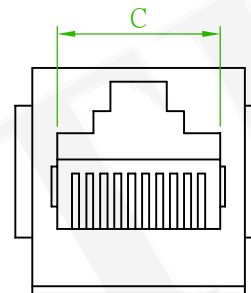
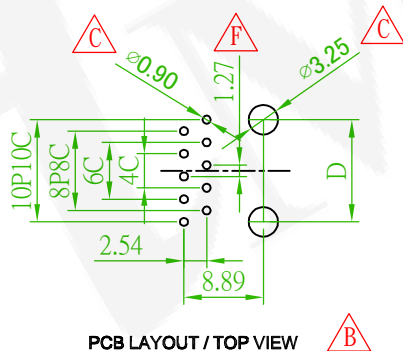
With keyway
 (8P,10P only)



Offset latch
 (6P only)



position	contact	A	B	C	D
4P	4C	13.80	11.40	7.90	7.62
6P	2C/4C/6C	15.80	13.45	10.00	10.16
(8P)6P	4C/6C	18.00	15.50	10.00	11.43
8P	4C/6C/8C	18.00	15.50	11.90	11.43
10P	10C	18.00	15.50	11.90	11.43



Old Part No.:260-L

REV.	ECN NO. OR DESCRIPTION	REVISED	DATE
△G1	Add the Color: Red & Blue	Benson	2020/12/11
△F1	ECN-200204:Revise the DIM position	Nick	2020/02/05
△E3	ECN NO.:180605 1.Revise the Plated S5->SH 2.Add color:White & Yellow	Mia	2018/09/10

糧德精密有限公司
 Amtek Technology Co., Ltd.
 TEL: 886-2-2260-6878
 FAX: 886-2-2260-8030

品名 TITLE		MODULAR JACK TOP ENTRY THROUGH HOLE H=16.4 W=16.5			頁數 Page	1/1
品號 PART NO.		5RJ1DS00N0X-XXXX00L-260-AX			繪圖 DRAWN	Jeff 2015/09/16
圖號 DRAWING NO.		GW005-MC638	版本 REV.	G	核對 CHECKED	John 2015/09/16
客戶品號 CUSTOMER P/N			比例 SCALE	None	承認 APPROVED	John 2015/09/16
公差 TOLERANCE		.X ±0.25 .XX ±0.20	單位 UNIT	mm	THIRD ANGLE PROJECTION	