

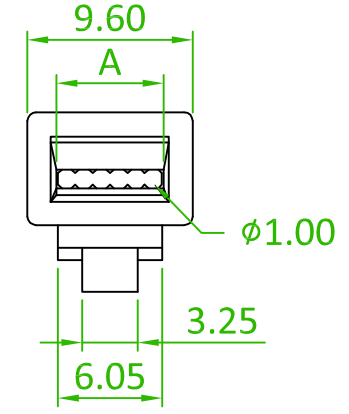
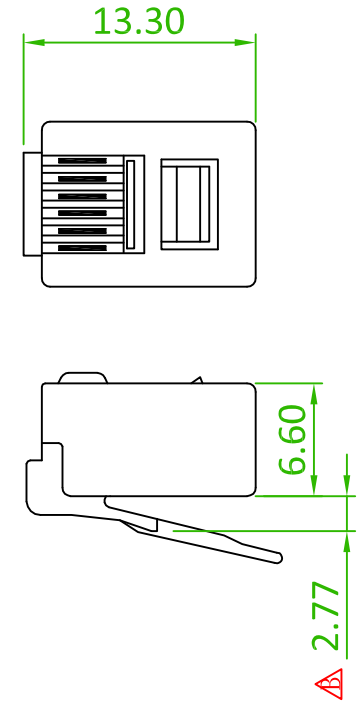
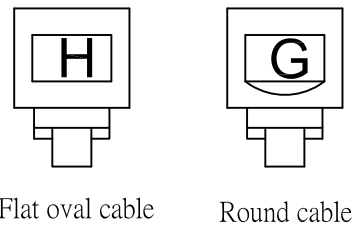
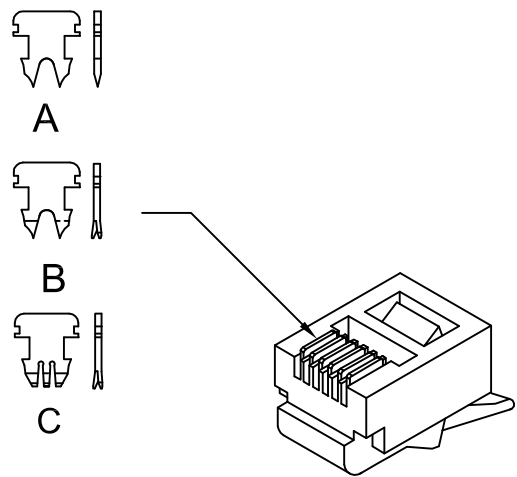
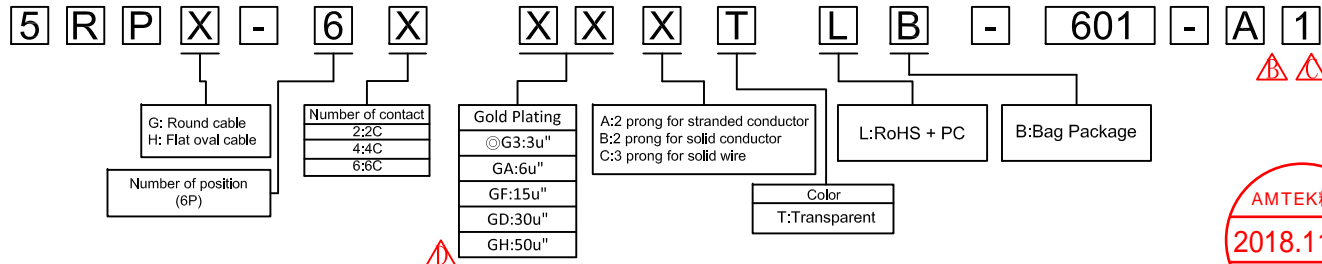
MATERIAL&FINISH

Housing: PC, UL94V-2, Clean
 Contacts: Copper Alloy,
 Plated with Gold.

SPECIFICATIONS

Voltage Rating: 125 volts AC, at 1.5 amps.
 Dielectric Withstanding Voltage: 1000 volts AC.
 Insulation Resistance: 500MΩ.
 Termination Resistance: 30mΩ min.
 Durability: 750 cycles.
 Temp. Rating: -40°C to +85°C

ORDER INFORMATION



	A
6P2C	5.20
6P4C	5.20
6P6C	7.15

Old Part No.:100X-6P-L

△ x1	ECN NO.:180605 Revise the plated :G5->GH	Eric	2018/11/22
△ x1	ECN NO.:180107 Remove the dim	Mia	2018/03/29
△ x4	ECN NO.:170701 Revise the darwing&Part No.5RPX-6XXXXTLB-601-A1->5RPX-6XXXXTLB-601-AX	Mia	2017/07/21
REV.	ECN NO. OR DESCRIPTION	REVISED	DATE

Amtek Technology Co., Ltd.
 TEL: 886-2-2260-6878
 FAX: 886-2-2260-8030

品名 TITLE	MODULAR PLUG 6 POSITION				頁數 Page	1/1
品號 PART NO.	△ 5RPX-6XXXXTLB-601-A1			繪圖 DRAWN	Jeff 2015/09/16	
圖號 DRAWING NO.	GW005-MC545	版本 REV.	D	核對 CHECKED	Josh 2018/11/22	
客戶品號 CUSTOMER P/N		比例 SCALE	None	承認 APPROVED	Jason 2018/11/22	
公差 TOLERANCE	.X ±0.25 .XX ±0.20	單位 UNIT	mm	THIRD ANGLE PROJECTION		