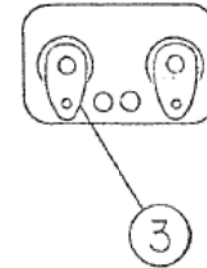
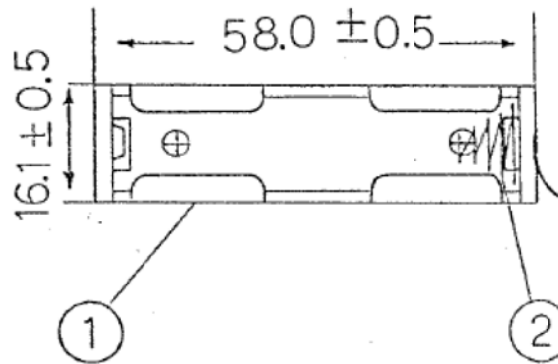
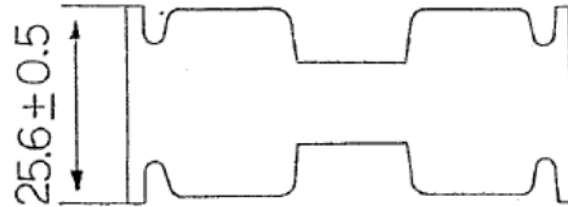
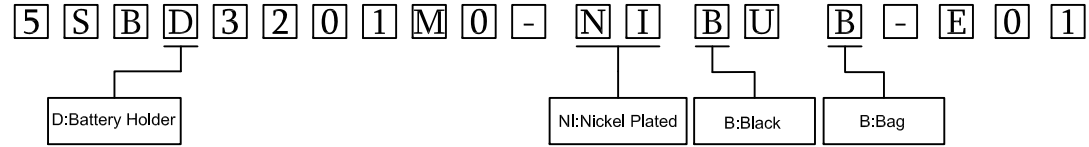


MATERIAL

- 1. Insulator: PP, Black
- 2. Steel Spring: SWB 60C Elastic Steel, Nickel Plated
- 3. Solder Lugs: Brass, Nickel Plated

ORDER INFORMATION



REV.	ECN NO. OR DESCRIPTION	REVISED	DATE

<p> Amtek Technology Co., Ltd. 糧德精密有限公司 TEL: 886-2-2260-6878 FAX: 886-2-2260-8030 </p>	品名 TITLE	BATTERY HOLDER				頁數 Page	1/1
	品號 PART NO.	5SBD3201M0-NIBUB-E01				繪圖 DRAWN	Roy 2017/09/18
	圖號 DRAWING NO.	GW256-RR013	版本 REV.	A	核對 CHECKED	Jason 2017/09/18	
	客戶品號 CUSTOMER P/N		比例 SCALE	None	承認 APPROVED	Jason 2017/09/18	
	公差 TOLERANCE	.X ± 0.20 .XX ± 0.10	單位 UNIT	mm	THIRD ANGLE PROJECTION		