

**SPECIFICATION**

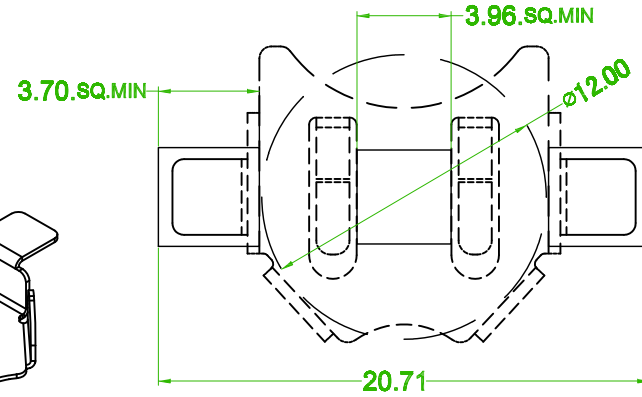
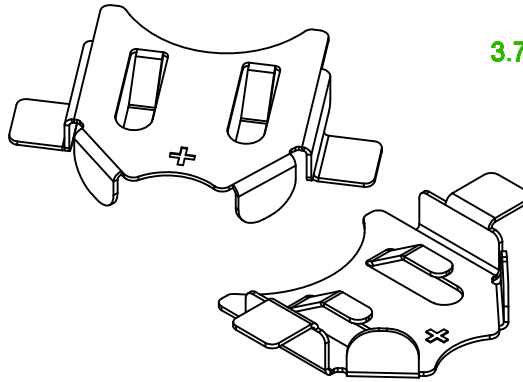
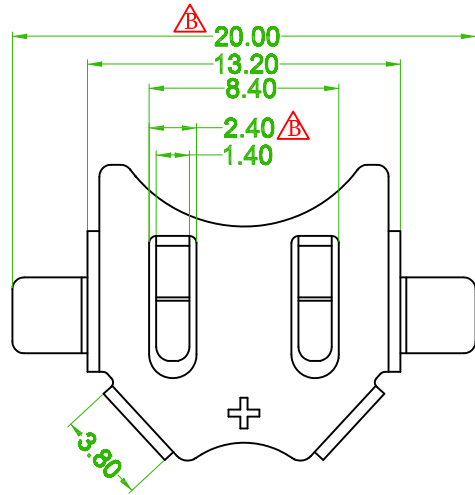
Material:T=0.25mm Phosphor Bronze,  
Nickel Plated 4-6u",  
Temperature Range:-40°C to +270°C

**ORDER INFORMATION**

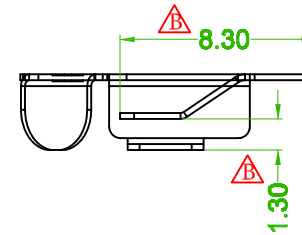
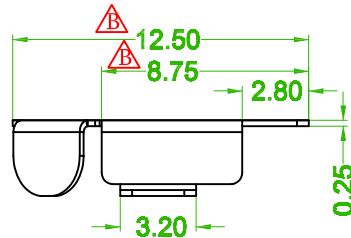
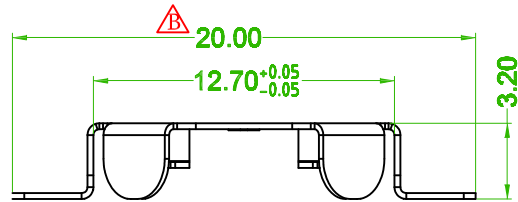
5 S B K 1 2 2 5 M 0 - N I 0 0 X - B 0 1

Ni:Nickel Plated

B:Bag  
H:T/R



PCB LAYOUT



Old P/N:5SBTK000-1225NIBL-01

$\Delta$	Revise the Dim.	Roy	2017/07/24
REV.	ECN NO. OR DESCRIPTION	REVISED	DATE

糧德精密有限公司  
Amtek Technology Co., Ltd.  
TEL: 886-2-2260-6878  
FAX: 886-2-2260-8030

品名 TITLE	BATTERY HOLDER				頁數 Page	1/1
品號 PART NO.	5SBK1225M0-NI00X-B01				繪圖 DRAWN	Roy 2017/05/19
圖號 DRAWING NO.	GW093-RL885	版本 REV.	B	核對 CHECKED	Jerry 2017/05/19	
客戶品號 CUSTOMER P/N		比例 SCALE	None	承認 APPROVED	Aaron 2017/05/19	
公差 TOLERANCE	.X ± 0.10 .XX ± 0.05	X°±3°	單位 UNIT	mm	THIRD ANGLE PROJECTION	