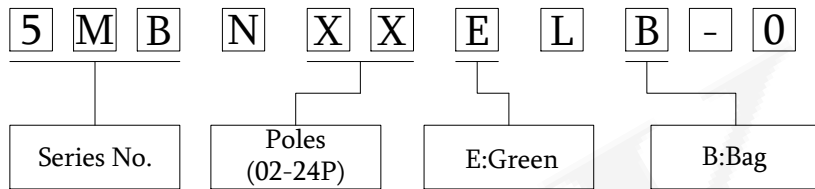


ELECTRICAL

Standard: UL IEC
 Rated Voltage: 300V 250V
 Rated Current: 8A 8A
 Contact Resistance: 20mΩ
 Withstanding Voltage: AC 2000V for one min
 Insulation Resistance: 500MΩ
 Wire range: 24-16AWG 1.0mm²

ORDER INFORMATION

5 T P 3 5 0 N - 5 M B N X X E L B - 0 1

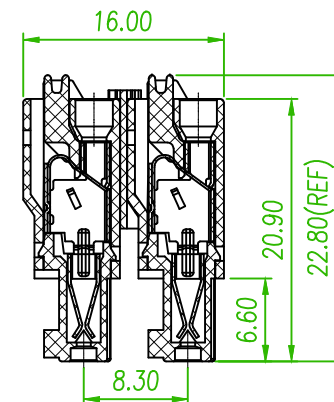
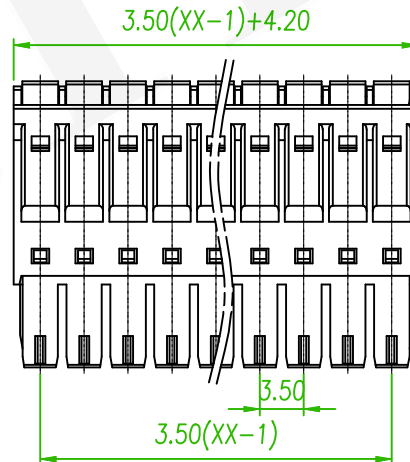
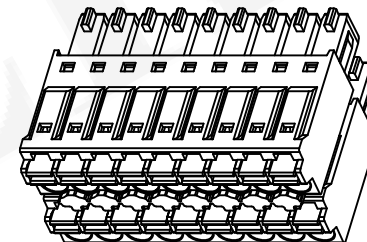
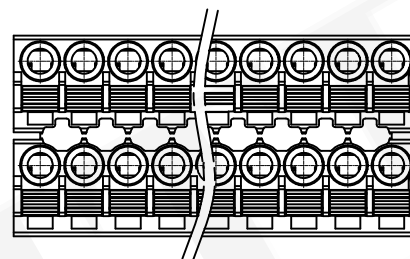


MECHANICAL

Temp. Range: -40°C ~ +105°C
 Strip length: 9-10mm

MATERIAL

Housing: PA66, UL94V-0
 Clamp: Copper alloy, Sn plated
 Shrapnel: Stainless steel



△

linear dimension(Tolerances Standard GB/T 14486-2008)								—	□	⊥
variable range	to 6	over 6 to 10	over 10 to 30	over 30 to 60	over 60 to 100	over 100 to 160	to 10	over 10 to 100	over 100 to 160	
tolerance	±0.20	±0.30	±0.50	±0.70	±1.00	±1.30	±1.60	0.10	0.30	0.60

△x1	ECN NO:200718 Revise the Dimension	Alice	2020/09/04
REV.	ECN NO. OR DESCRIPTION	REVISED	DATE

糧德精密有限公司
 Amtek Technology Co., Ltd.
 TEL: 886-2-2260-6878
 FAX: 886-2-2260-8030

品名 TITLE	3.5mm Terminal Block				頁數 Page	1/1
品號 PART NO.	5TP350N-5MBNXXELB-01			繪圖 DRAWN	Mia 2018/11/05	
圖號 DRAWING NO.	GN011-MD634	版本 REV.	B	核對 CHECKED	Josh 2018/11/05	
客戶品號 CUSTOMER P/N		比例 SCALE	None	承認 APPROVED	Jason 2018/11/05	
公差 TOLERANCE		單位 UNIT	mm	THIRD ANGLE PROJECTION		