

Electrical

Standard: UL IEC
 Rated Voltage: 300V 250V
 Rated Current: 8A 10A
 Contact Resistance: 20mΩ
 Insulation Resistance: 500MΩ / DC 500V
 With standing Voltage: AC 2000V for one min

Mechanical

Temp. Range: -40°C ~ +105°C
 Max Soldering: +250°C for 5 Sec

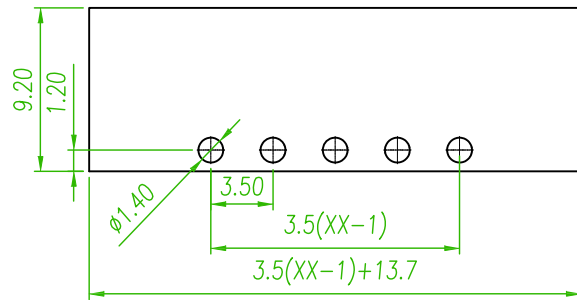
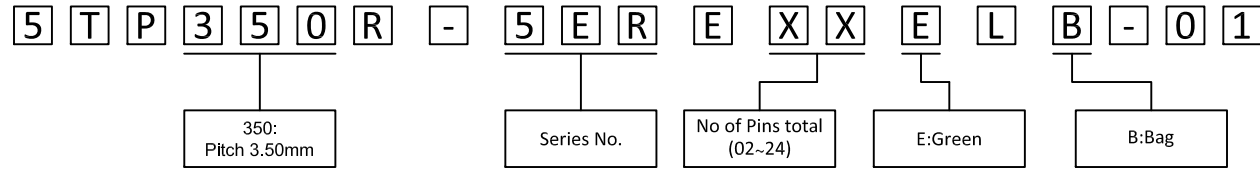
Dimensions

Pitch: 3.5mm
 Poles: 2-24P

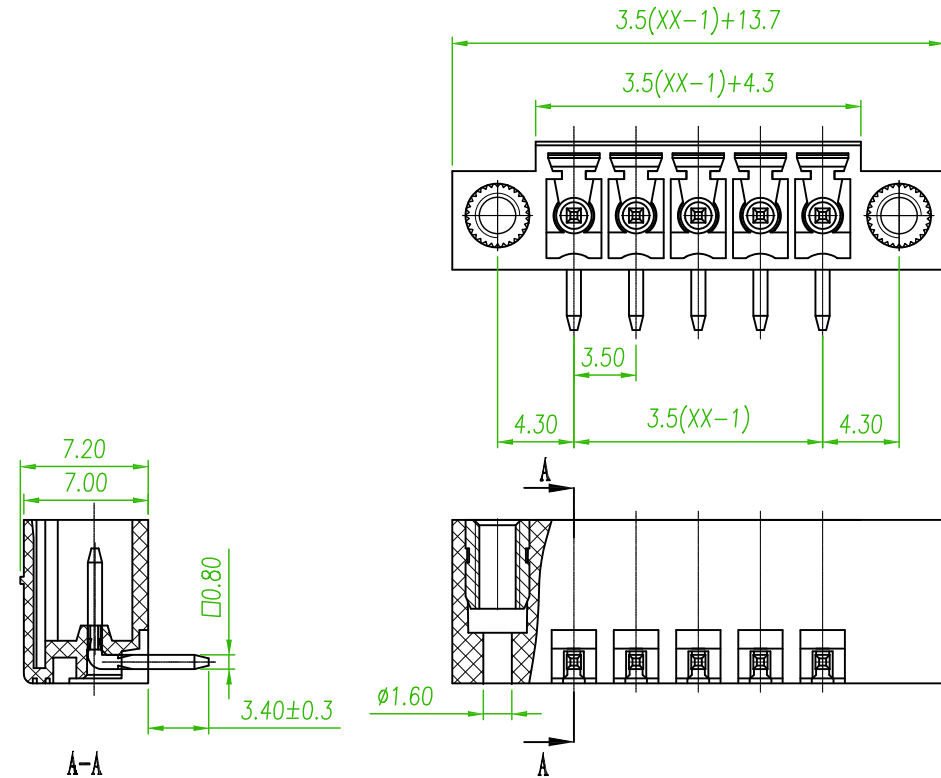
Material

Housing: PA66, UL94V-0
 Pin Header: Brass, Tin Plated
 Nut: Brass

ORDER INFORMATION



P.C.B. LAYOUT



linear dimension (Tolerances Standard GB/T 14486-2008)		≡	—	□	//	⊥										
variable range	to 6	over 6 to 10	over 10 to 18	over 18 to 30	over 30 to 50	over 50 to 80	over 80 to 120	over 120 to 160	over 160 to 200	over 200 to 250	over 250 to	all	to 5	over 5 to 30	over 30 to 120	over 120 to
tolerance	±0.1	±0.14	±0.19	±0.25	±0.32	±0.43	±0.57	±0.72	±0.88	±1.05	±1.25	0.5	0.025	0.06	0.12	0.4

REV.	ECN NO. OR DESCRIPTION	REVISED	DATE

Amtek Technology Co., Ltd.
 糧德精密有限公司
 TEL: 886-2-2260-6878
 FAX: 886-2-2260-8030

品名 TITLE	Terminal Block				頁數 Page	1/1
品號 PART NO.	5TP350R-5EREXXELB-01				繪圖 DRAWN	Roy 2016/06/14
圖號 DRAWING NO.	版本 REV.	A	核對 CHECKED	Sabrina	2016/06/14	
客戶品號 CUSTOMER P/N	比例 SCALE	None	承認 APPROVED	John	2016/06/14	
公差 TOLERANCE	單位 UNIT	mm	THIRD ANGLE PROJECTION			