

ELECTRICAL

Standard: UL IEC
 Rated Voltage: 300V 250V
 Rated Current: 8A 10A
 Contact Resistance: 20mΩ
 Insulation Resistance: 500MΩ/DC500V
 Withstanding Voltage: AC 2000V for one min

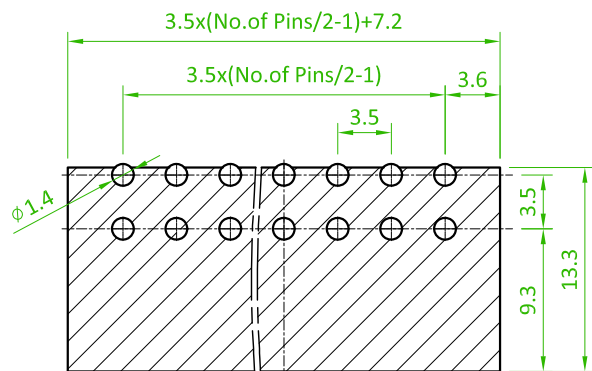
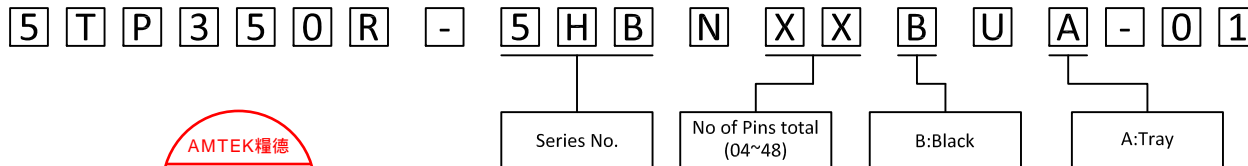
MECHANICAL

Temperature Range: -40°C ~ +130°C
 Max Soldering: +285°C, for 10 Sec

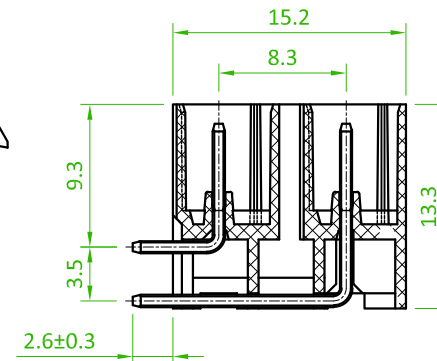
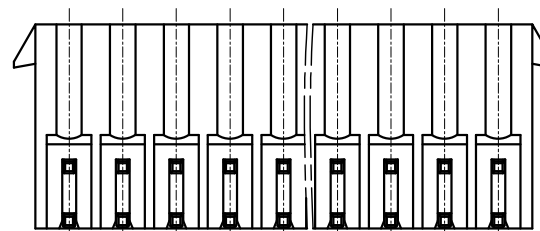
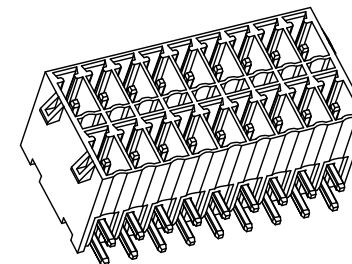
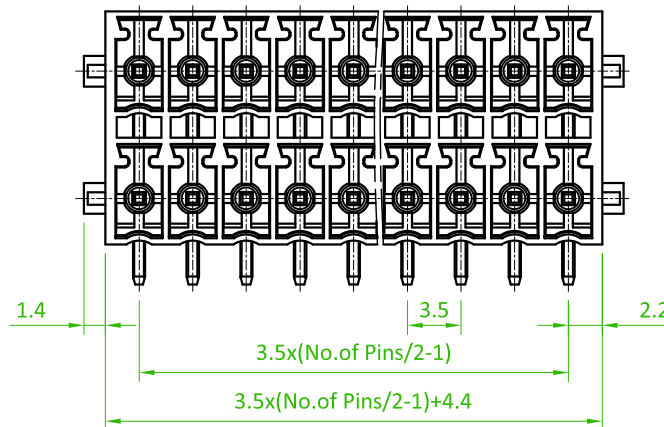
MATERIAL

Housing: LCP, UL94V-0
 Pin Header: Copper Alloy, Sn Plated

ORDER INFORMATION



P.C.B. LAYOUT



linear dimension (Tolerances Standard GB/T 14486-2008)																
variable range	to										all	to	over		over	
	6	10	18	30	50	80	120	160	200	250			5	30		120
tolerance	±0.1	±0.14	±0.19	±0.25	±0.32	±0.43	±0.57	±0.72	±0.88	±1.05	±1.25	0.5	0.025	0.06	0.12	0.4
REV.	ECN NO. OR DESCRIPTION											REVISED	DATE			

糧德精密有限公司
 Amtek Technology Co., Ltd.
 TEL: 886-2-2260-6878
 FAX: 886-2-2260-8030

品名 TITLE	3.50mm Terminal Block				頁數 Page	1/1
品號 PART NO.	5TP350R-5HBNXXBUA-01			繪圖 DRAWN	Roy 2018/07/04	
圖號 DRAWING NO.	GN011-RR615	版本 REV.	A	核對 CHECKED	Josh 2018/07/04	
客戶品號 CUSTOMER P/N		比例 SCALE	None	承認 APPROVED	Jason 2018/07/04	
公差 TOLERANCE		單位 UNIT	mm	THIRD ANGLE PROJECTION		