

Electrical

Standard: UL IEC
 Rated Voltage: 300V 450V
 Rated Current: 8A 10A
 Contact Resistance: 20mΩ
 Insulation Resistance: 500MΩ / DC 500V
 Withstanding Voltage: AC 2000V for one minute

Mechanical

Temp.Range:-40°C~+105°C
 Temp.Range:+250°C 5S

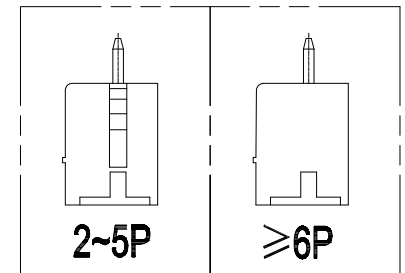
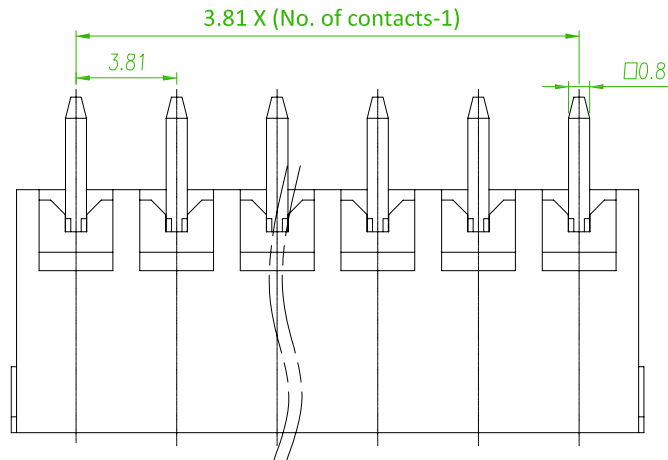
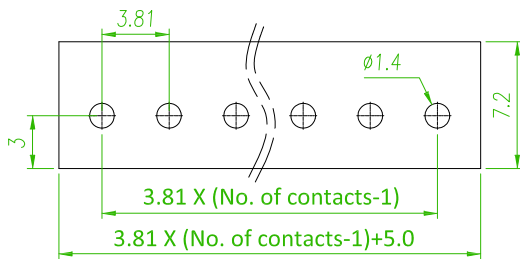
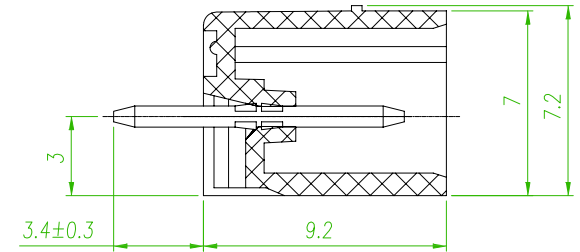
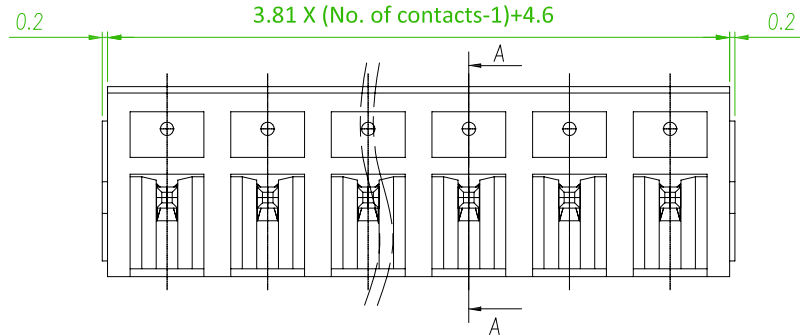
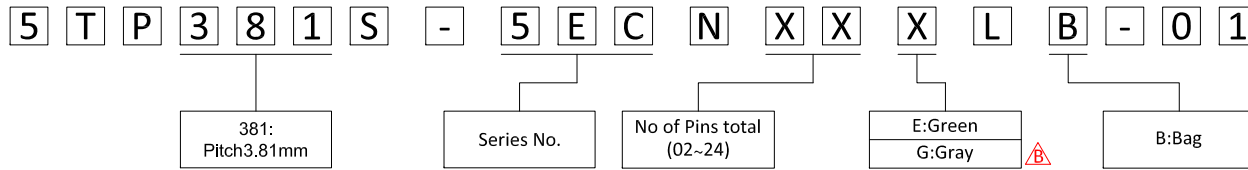
Dimensions

Pitch: 3.81mm
 Poles:2-24P

Material

Housing: Nylon66, UL94V-0
 Pin header:Brass,Tin plated

ORDER INFORMATION



Old Part No. :TB15EVC-3.81-XXP-14-00A-L

linear dimension(Tolerances Standard GB/T 14486-2008)											≡	—	□	//	⊥	
variable range	to 6	over 6 to 10	over 10 to 18	over 18 to 30	over 30 to 50	over 50 to 80	over 80 to 120	over 120 to 160	over 160 to 200	over 200 to 250	all	to 5	over 5 to 30	over 30 to 120	over 120 to	
tolerance	±0.1	±0.14	±0.19	±0.25	±0.32	±0.43	±0.57	±0.72	±0.88	±1.05	±1.25	0.5	0.025	0.06	0.12	0.4
△x1	Add color: G: Gray.											Gary	2017/08/15			
REV.	ECN NO. OR DESCRIPTION											REVISED	DATE			

Amtek Technology Co., Ltd.
 糧德精密有限公司
 TEL: 886-2-2260-6878
 FAX: 886-2-2260-8030

品名 TITLE	Terminal Block				頁數 Page	1/1
品號 PART NO.	5TP381S-5ECNXXXLXB-01				繪圖 DRAWN	Mia 2016/08/25
圖號 DRAWING NO.	GN011-GA540	版本 REV.	B	核對 CHECKED	Jonny 2016/08/25	
客戶品號 CUSTOMER P/N		比例 SCALE	None	承認 APPROVED	Aaron 2016/08/25	
公差 TOLERANCE		單位 UNIT	mm	THIRD ANGLE PROJECTION		