

ELECTRICAL

Standard: UL IEC
 Rated Voltage: 300V 250V
 Rated Current: 10A 12A
 Withstanding Voltage: AC 1600V for one minute

ORDER INFORMATION

5 T P 5 0 0 R - 2 H B N X X B U X - 0 1

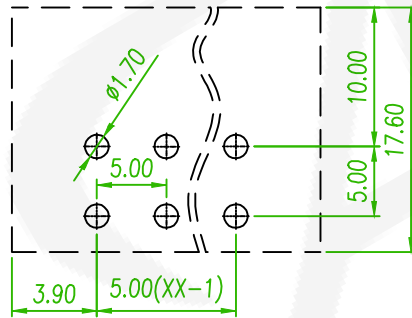
Series No. No of Pins total(04-48P) B:Black A:Tray, W/O Cap B:Bag



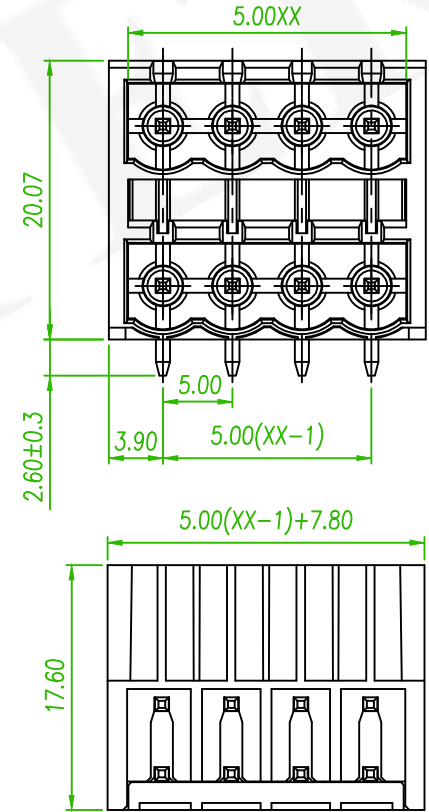
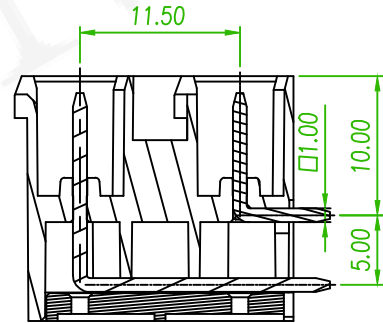
AMTEK 糧德
 2021.04.16
 Released DCC

MATERIAL

Housing: LCP, UL94V-0
 Contactor Material: Copper Alloy
 Contactive Coating: Sn Plated
 Operating Temperature: -40°~130°



Recommended P.C.B Layout (PCB TOLERANCE±0.05)



linear dimension (Tolerances Standard GB/T 14486-2008)										
variable range	to 6	over 6 to 10	over 10 to 30	over 30 to 60	over 60 to 100	over 100 to 160	to 10	over 10 to 100	over 100 to	
tolerance	±0.20	±0.30	±0.50	±0.70	±1.00	±1.30	±1.60	0.10	0.30	0.60

REV.	ECN NO. OR DESCRIPTION	REVISED	DATE

糧德精密有限公司
 Amtek Technology Co., Ltd.
 TEL: 886-2-2260-6878
 FAX: 886-2-2260-8030

品名 TITLE	5.0mm Terminal Block				頁數 Page	1/1
品號 PART NO.	5TP500R-2HBNXXBUX-01			繪圖 DRAWN	Alice 2021/04/15	
圖號 DRAWING NO.	GN011-AZ069	版本 REV.	A	核對 CHECKED	Josh 2021/04/15	
客戶品號 CUSTOMER P/N		比例 SCALE	None	承認 APPROVED	Josh 2021/04/15	
公差 TOLERANCE		單位 UNIT	mm	THIRD ANGLE PROJECTION		