

ELECTRICAL

Standard: UL IEC
 Rated Voltage: 250V 320V
 Rated Current: 10A 20A
 Contact Resistance: 20mΩ
 Insulation Resistance: 5000MΩ
 Withstanding Voltage: AC 2000V for one minute

MECHANICAL

Temp.Range:-40°C~+105°C

DIMENSIONS

Pitch: 5.00mm
 Poles:2-24P

MATERIAL

Housing: Nylon66, UL94V-0
 Pin header:Brass,Tin plated

ORDER INFORMATION

5 T P 5 0 0 S - 2 E C N X X X L B - 0 1

500:
Pitch5.00mm

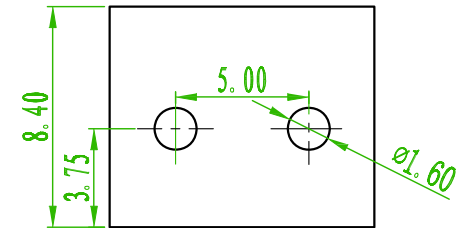
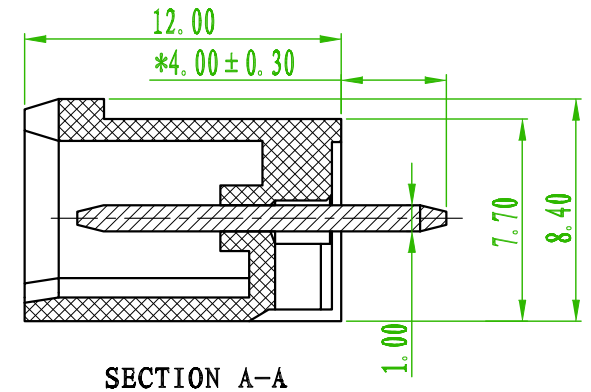
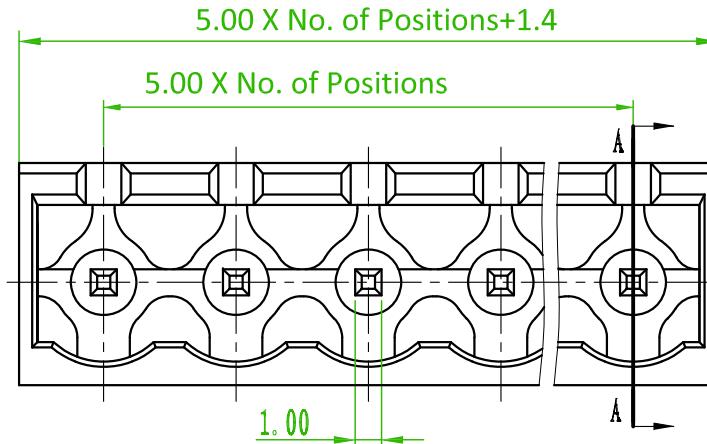
Series No.

No of Pins total
(02-24)

G:Gray	O:Orange
U:Blue	R:Red
B:Black	T:Transparent
E:Green	N:Brown
	W:White

B:Bag

L:RoHS + Nylon66
 Soldering Temperature:
 200 / 230°C / 5~10 Sec
 ☆Remark
 Blank:Non RoHS



Old Part No. :TB2EVC-5.0-XXP-1X-00A-L

TOLERANCES EXCEPT AS NOTED

variable range	linear dimension				fillet	chamfer	short angle sid				≡	-	□	//	⊥	
	to 6	over 6 to 30	over 30 to 120	over 120 to 480	all to 6	over 6 to 10	over 10 to 50	over 50 to 120	over 120 to 10'	all to 0.5						over 5 to 30
tolerance	±0.1	±0.2	±0.3	±0.5	±0.2	±0.5	±1	1'	30'	20'	10'	0.5	0.025	0.06	0.12	0.4

REV.	ECN NO. OR DESCRIPTION	REVISED	DATE

糧德精密有限公司
 Amtek Technology Co., Ltd.
 TEL: 886-2-2260-6878
 FAX: 886-2-2260-8030

品名 TITLE	Terminal Block				頁數 Page	1/1
品號 PART NO.	5TP500S-2ECNXXXLB-01				繪圖 DRAWN	Mia 2016/12/21
圖號 DRAWING NO.	GN011-MC159	版本 REV.	A	核對 CHECKED	Jonny 2016/12/21	
客戶品號 CUSTOMER P/N		比例 SCALE	None	承認 APPROVED	Aaron 2016/12/21	
公差 TOLERANCE		單位 UNIT	mm	THIRD ANGLE PROJECTION		