

ELECTRICAL

Standard: UL IEC
 Rated Voltage: 300V 250V
 Rated Current: 10A 15A
 Contact Resistance: 20mΩ
 Insulation Resistance: 500MΩ/DC500V
 Wire Range: 22-16AWG 1.5mm²
 Withstanding Voltage: AC 2000V for one minute

ORDER INFORMATION

5 T R 5 0 8 S - 1 4 2 N X X X L A - 0 1

508:
Pitch 5.08mm

Series No.

No of Pins total
(01-24P)

G:Gray	O:Orange
U:Blue	R:Red
B:Black	T:Trans-parent
E:Green	N:Brown
	W:White



MACHANICAL

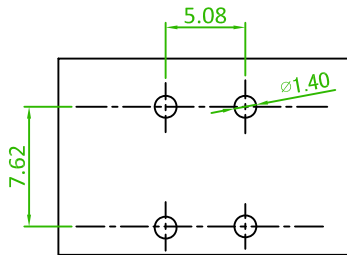
Strip Length: 10mm
 Temp. Range: -40°C ~ +105°C

MATERIAL

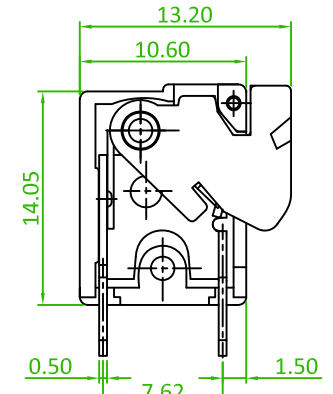
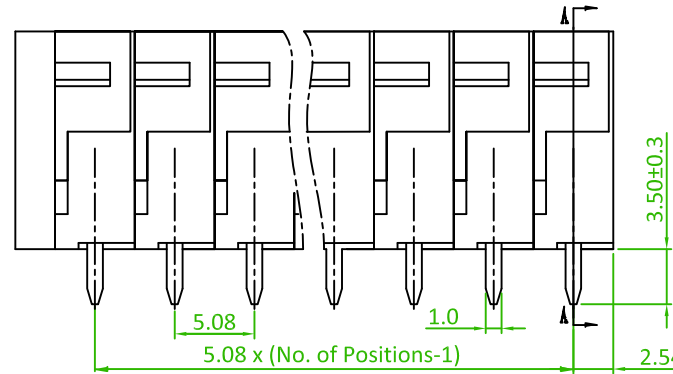
Housing: NY 66, UL94V-0
 Pin Header: Brass, Tin Plated
 Wire Guard: Stainless steel(SUS301)

DIMENSIONS

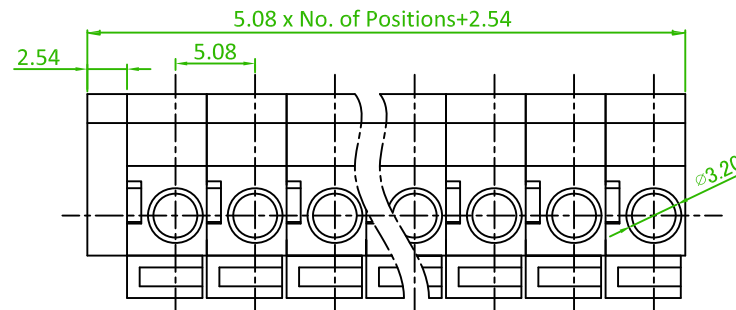
Pitch: 5.08mm
 Poles: 1P-24P



P.C.B.LAYOUT



SECTION A-A



TOLERANCES EXCEPT AS NOTED

variable range	linear dimension					fillet	chamfer	short angle	sid	≡	-	□	//	⊥			
	to 6	over 6 to 30	over 30 to 120	over 120 to 480	over 480 to										all	to 6	to 10
tolerance	±0.1	±0.2	±0.3	±0.5	±0.9	±0.2	±0.5	±1	1'	30'	20'	10'	0.5	0.025	0.06	0.12	0.4

Old P/N: TB142V-5.08-XXP-1X-00A-L

糧德精密有限公司
 Amtek Technology Co., Ltd.
 TEL: 886-2-2260-6878
 FAX: 886-2-2260-8030

品名 TITLE	Terminal Block				頁數 Page	1/1
品號 PART NO.	5TR508S-142NXXXLA-01			繪圖 DRAWN	Mia 2016/09/07	
圖號 DRAWING NO.		版本 REV.	A	核對 CHECKED	Jonny 2016/09/07	
客戶品號 CUSTOMER P/N		比例 SCALE	None	承認 APPROVED	Aaron 2016/09/07	
公差 TOLERANCE	.X ± 0.30	單位 UNIT	mm	THIRD ANGLE PROJECTION		
	.XX ± 0.25					

REV.	ECN NO. OR DESCRIPTION	REVISED	DATE