

ORDER INFORMATION

ELECTRICAL

Standard: UL IEC
 Rated Voltage: 300V 250V
 Rated Current: 16A 20A
 Contact Resistance: 20mΩ
 Insulation Resistance: 500MΩ/DC500V
 Withstanding Voltage: AC 2000V for one minute
 Wire Range: 22~12AWG 2.5mm²

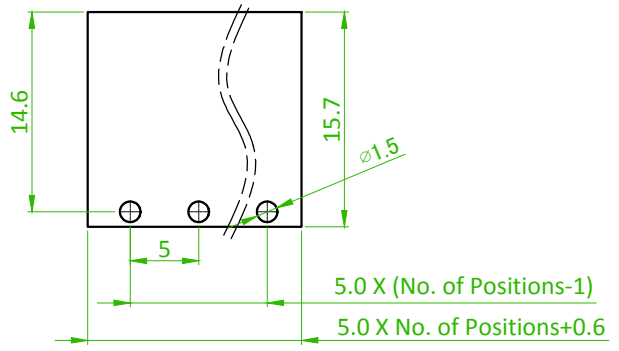
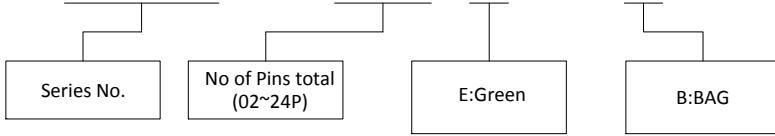
MECHANICAL

Torque: 0.4Nm(3.6Lb.in)
 Strip Length: 6-7mm
 Temp. Range: -40°C ~ +105°C
 Max Soldering: +250°C, for 5 Sec

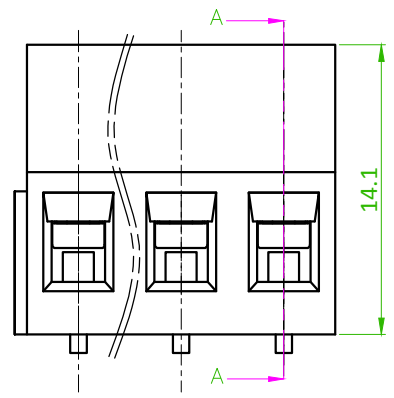
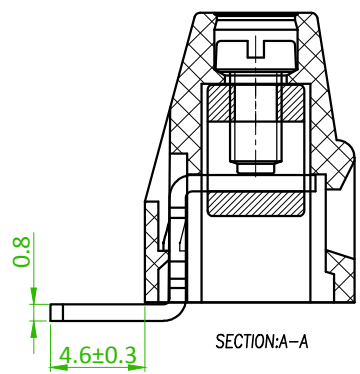
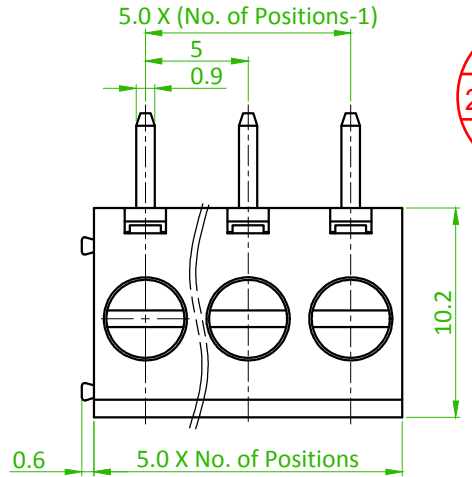
MATERIAL

Housing: PA66, UL94V-0
 Screws: M2.5, Steel Zn Plated
 Pin Header: Copper Alloy, Sn Plated
 Shrapnel: Copper Alloy, Ni Plated

5 T S 5 0 0 R - 1 2 8 N X X E L B - 0 1



Recommended P.C.B Layout
 (PCB TOLERANCE ±0.1)



linear dimension (Tolerances Standard GB/T 14486-2008)								—	∕	⊥
variable range	to 6	over 6 to 10	over 10 to 30	over 30 to 60	over 60 to 100	over 100 to 160	over 160 to 10	over 10 to 100	over 100 to 100	over 100 to 0.60
tolerance	±0.20	±0.30	±0.50	±0.70	±1.00	±1.30	±1.60	0.10	0.30	0.60

△x1	ECN NO:200718 Revise the Tolerance	Alice	2020/12/07
REV.	ECN NO. OR DESCRIPTION	REVISED	DATE

糧德精密有限公司
 Amtek Technology Co., Ltd.
 TEL: 886-2-2260-6878
 FAX: 886-2-2260-8030

品名 TITLE	Terminal Block				頁數 Page	1/1
品號 PART NO.	5TS500R-128NXXELB-01			繪圖 DRAWN	Mia 2017/12/25	
圖號 DRAWING NO.	GN011-MC845	版本 REV.	B	核對 CHECKED	Josh 2017/12/25	
客戶品號 CUSTOMER P/N		比例 SCALE	None	承認 APPROVED	Jason 2017/12/25	
公差 TOLERANCE		單位 UNIT	mm	THIRD ANGLE PROJECTION		