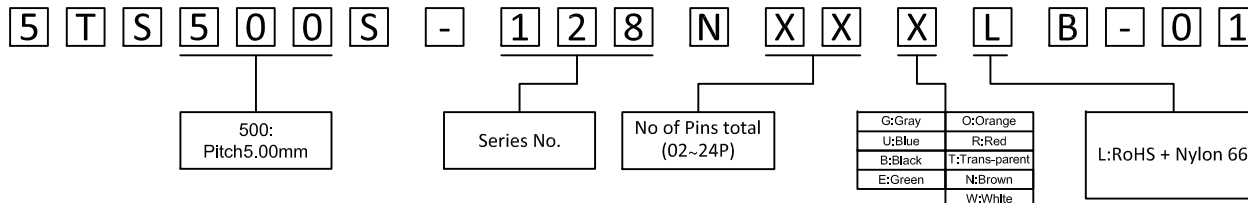


Electrical

Standard: UL IEC
 Rated Voltage: 300V 450V
 Rated Current: 16A 20A
 Contact resistance: 20mΩ
 Insulation resistance: 500MΩ/DC500V
 Wire Range: 22-12AWG 2.5mm²
 Dielectric Voltage: AC 2000V for one minute

ORDER INFORMATION



Mechanical

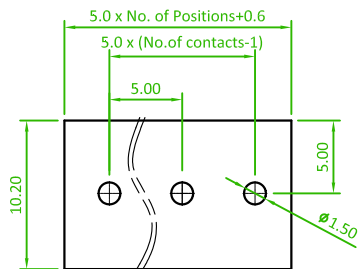
Torque: 0.4Nm(3.6Lb.in)
 Strip Length: 6~7mm
 Temp. Range: -40°C ~ +105°C
 MAX Soldering: +250°C, for 5 Sec

Material

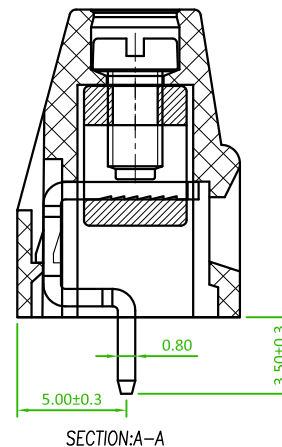
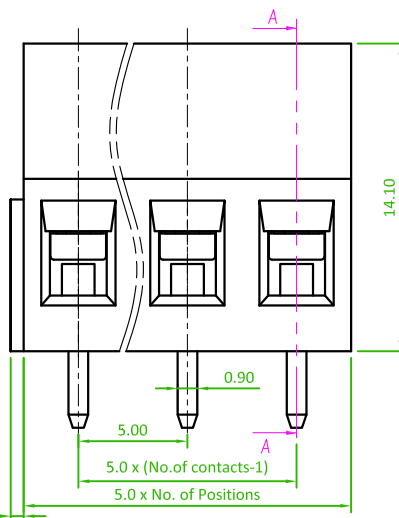
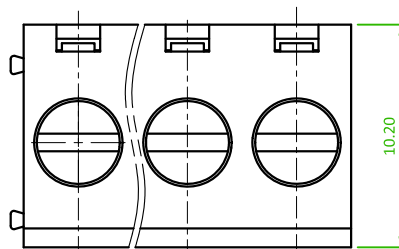
Housing: Nylon 66, UL94V-0
 Screws: M2.5, Steel, Zn Plated
 Pin Header: Copper alloy, Sn Plated
 Wire Guard: Copper alloy, Ni Plated

Dimensions

Pitch: 5.0mm
 Poles: 2P-24P



P.C.B. LAYOUT



		linear dimension (Tolerances Standard GB/T 14486-2008)											≡ — □ // ⊥				
variable range	to	over 6	over 10	over 18	over 30	over 50	over 80	over 120	over 160	over 200	over 250	all	to 5	over 5	over 30	over 120	
		to 10	to 18	to 30	to 50	to 80	to 120	to 160	to 200	to 250	to 30			to 120	to		
tolerance		±0.1	±0.14	±0.19	±0.25	±0.32	±0.43	±0.57	±0.72	±0.88	±1.05	±1.25	0.5	0.025	0.06	0.12	0.4

REV.	ECN NO. OR DESCRIPTION	REVISED	DATE

Amtek Technology Co., Ltd.
 糧德精密有限公司
 TEL: 886-2-2260-6878
 FAX: 886-2-2260-8030

品名 TITLE		Terminal Block			頁數 Page	1/1
品號 PART NO.	5TS500S-128NXXLB-01			繪圖 DRAWN	Mia 2016/09/20	
圖號 DRAWING NO.	版本 REV.	A	核對 CHECKED	Jonny 2016/09/20		
客戶品號 CUSTOMER P/N	比例 SCALE	None	承認 APPROVED	Aaron 2016/09/20		
公差 TOLERANCE	.X ±0.20 .XX ±0.15	單位 UNIT	mm	THIRD ANGLE PROJECTION		

Old Part No. :TB128-5.0-XXP-1X-00A-L