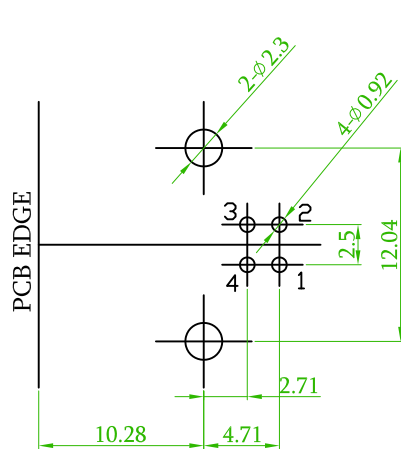
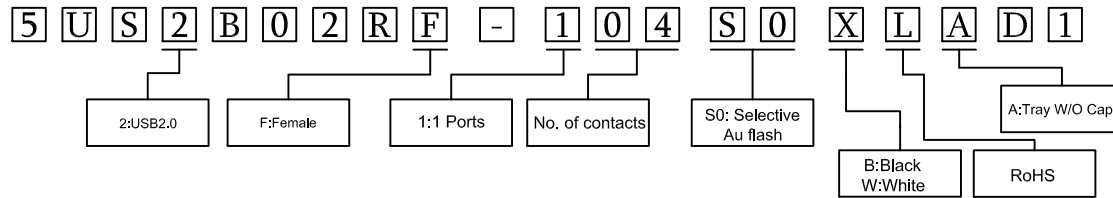


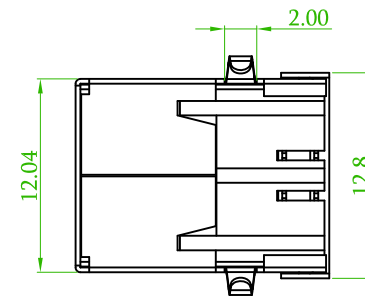
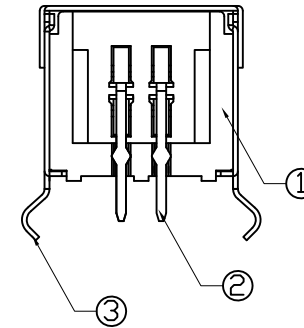
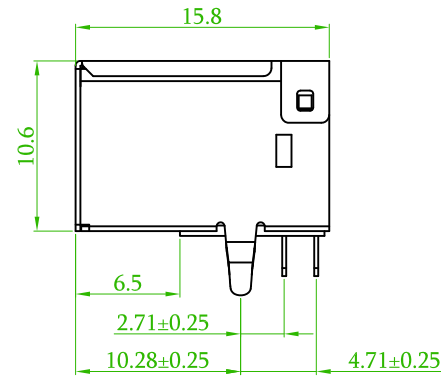
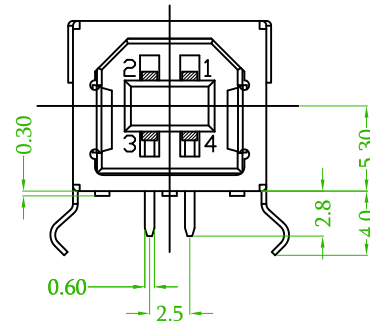
SPECIFICATION

Contact resistance:30 Milliohm Max.
 Insertion Resistance:1000 Megohms Min.At 500V DC.
 Rated Voltage and Current:1.5A At 250V AC Minimum.
 Dielectric Withstanding Voltage:750V AC(rms) for 1 Minute.
 Durability(Life Test):1500 Cycles
 Insertion Force:35 Newton Maximum.
 Extraction Force:10 Newton Minimum.

ORDER INFORMATION



PCB LAYOUT
(TOLERANCE±0.1)



N0.	NAME	MATERIAL	FINISH	REMARK	Q'TY
1	HOUSING	PBT G.F.	BLACK or WHITE		1
2	PIN TERM.	PHOS. BRONZE T:0.25	GOLD/TIN PLATED	Gold:1"3u"; Ni:40"60u"; TIN:120u" (100% pure Tin of lead free plating)	4
3	SHELL	BRASS T:0.3	NICKEL PLATED	NI:80~120u"	1

Old Part No. :USB-001F-BB/W-L

REV.	ECN NO. OR DESCRIPTION	REVISED	DATE
△	ECN No.: 181106 , Revise the Tolerance	Roy	2018/11/21
△	Revise the drawing	Roy	2016/05/31

 糧德精密有限公司 Amtek Technology Co., Ltd. TEL: 886-2-2260-6878 FAX: 886-2-2260-8030	品名 TITLE	USB B TYPE FEMAL DIP 90°			頁數 Page	1/1
	品號 PART NO.	5US2B02RF-104S0XLAD1			繪圖 DRAWN	Mia 2015/10/06
	圖號 DRAWING NO.	GW216-RR974	版本 REV.	C	核對 CHECKED	Josh 2018/11/21
	客戶品號 CUSTOMER P/N		比例 SCALE	None	承認 APPROVED	Jason 2018/11/21
	公差 TOLERANCE	.X ± 0.25 .XX ± 0.13	單位 UNIT	mm	THIRD ANGLE PROJECTION	