

SPECIFICATIONS

Current Rating:

Wire size	# 20	# 22	# 24	# 26	# 28	# 30
Ampere	5 A	5 A	4 A	3 A	2 A	1 A

Voltage Rating: 250V

Contact Resistance: 10mΩ Max

Withstanding Dielectric Voltage: 1500V AC/minute

Operation temperature: -40°~+105°C

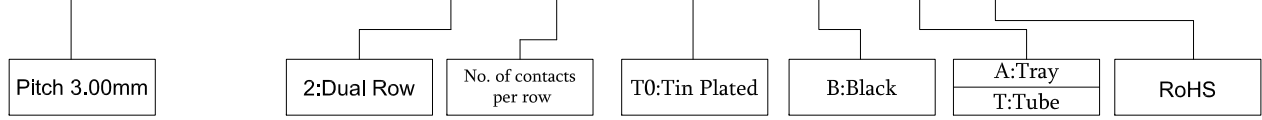
MATERIAL

Material: LCP, UL94 V-0

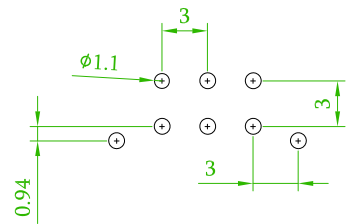
Contact Material: Brass

ORDER INFORMATION

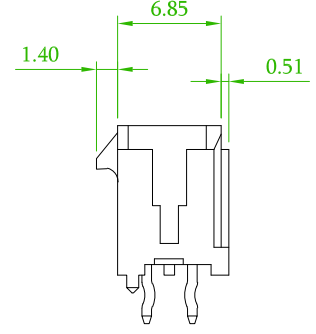
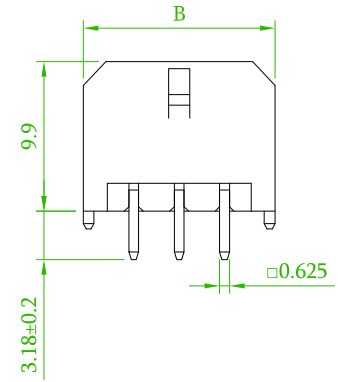
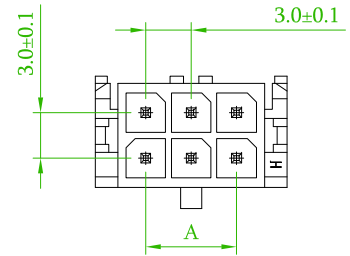
5 W 3 0 0 0 S 0 - 2 X X T 0 B X U C 0 1



Circuits	Dim.A	Dim.B
2		6.7
4	3.0	9.65
6	6.0	12.65
8	9.0	15.65
10	12.0	18.65
12	15.0	21.65
14	18.0	24.65
16	21.0	27.65
18	24.0	30.65
20	27.0	33.65
22	30.0	36.65
24	33.0	39.65



Recommended PCB Layout (PCB TOLERANCE ±0.1)



Old Part No.: 3000S-2XXTB-L

△D/x1	Add a package: T: Tube.	Gary	2019/02/18
△C/x1	Revise operation temperature.	Andy	2017/09/06
△B/x2	ECR NO. : 170711. Modify order information: 5W3000S0-2XXT0BALC01 -> 5W3000S0-2XXT0BAUC01, and material: Nylon -> LCP.	Gary	2017/07/24
REV.	ECN NO. OR DESCRIPTION	REVISED	DATE

<p>禮德精密有限公司 Amtek Technology Co., Ltd. TEL: 886-2-2260-6878 FAX: 886-2-2260-8030</p>	品名 TITLE	3.0mm WAFER D/R V/T DIP TYPE			頁數 Page	1/1
	品號 PART NO.	5W3000S0-2XXT0BXUC01			繪圖 DRAWN	Eloise 2016/11/17
	圖號 DRAWING NO.	GW083-GA486	版本 REV.	D	核對 CHECKED	Josh 2019/02/18
	客戶品號 CUSTOMER P/N		比例 SCALE	None	承認 APPROVED	Josh 2019/02/18
	公差 TOLERANCE	.X ± 0.25 .XX ± 0.15	單位 UNIT	mm	THIRD ANGLE PROJECTION	