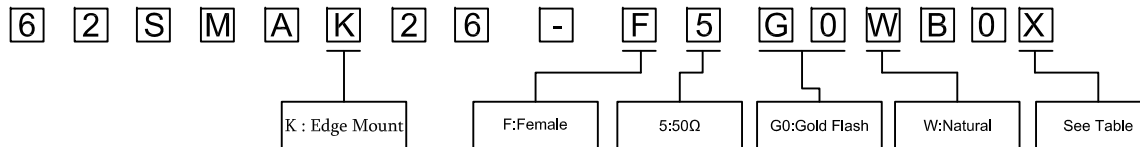
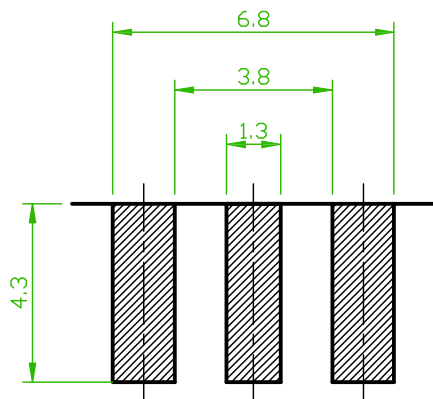


NOMINAL IMPEDANCE: 50Ω  
 FREQUENCY RANGE: DC 0 ~ 18GHz  
 VSWR: 1.3 MAX

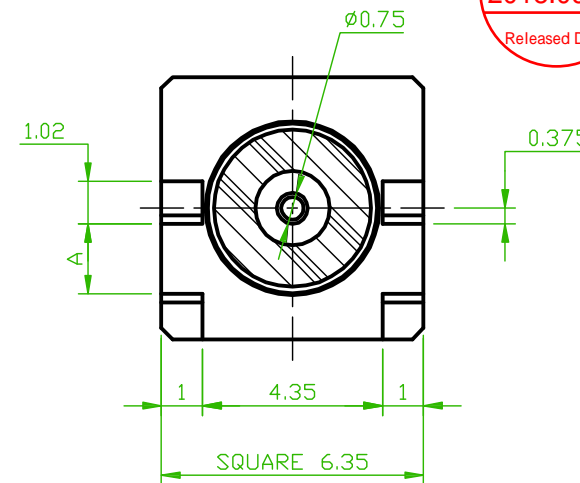
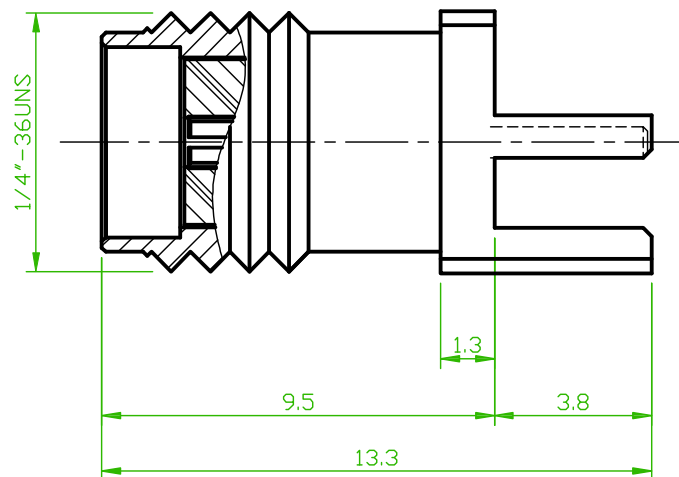
### ORDER INFORMATION



Part No.	Dim. A
62SMAK26-F5G0WB01	1.2 mm
62SMAK26-F5G0WB02	1.6 mm
62SMAK26-F5G0WB03	1.7 mm



P.C.B. LAYOUT  
 TOLERANCE: ±0.1



NO	DESCRIPTION	MATERIAL	QTY	FINISH
03	CENTER PIN	PHOSPHOR BRONZE	1	GOLD
02	INSULATOR	TEFLON	1	
01	BODY	BRASS	1	GOLD

REV.	ECN NO. OR DESCRIPTION	REVISED	DATE

 糧德精密有限公司 Amtek Technology Co., Ltd. TEL: 886-2-2260-6878 FAX: 886-2-2260-8030	品名 TITLE	SMA Series			頁數 Page	1/1
	品號 PART NO.	62SMAK26-F5G0WB0X			繪圖 DRAWN	Roy 2018/09/26
	圖號 DRAWING NO.	GW141-RR842	版本 REV.	A	核對 CHECKED	Josh 2018/09/26
	客戶品號 CUSTOMER P/N		比例 SCALE	None	承認 APPROVED	Jason 2018/09/26
	公差 TOLERANCE	±0.2	單位 UNIT	mm	THIRD ANGLE PROJECTION	