

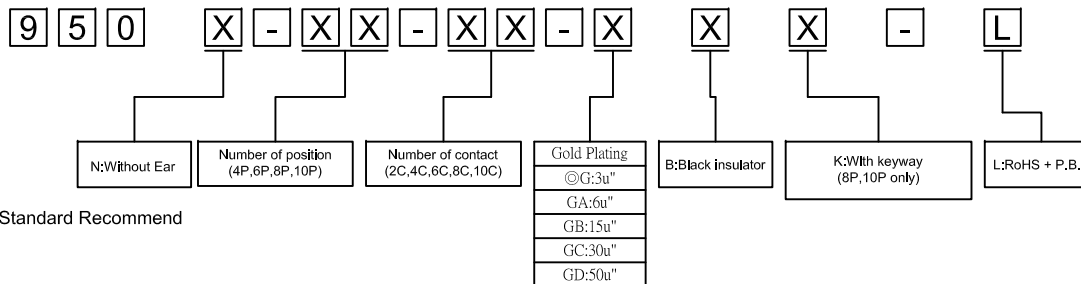
MATERIAL & FINISH

HOUSING: glass fiber, PBT, UL94V-0, BLACK
 Soldering Temperature: 200°C / 5~10 Sec
 CONTACT: 0.35 mm thickness phosphor bronze,
 Gold plated over Nickel on contact area,
 Tin plated over Nickel on solder area.

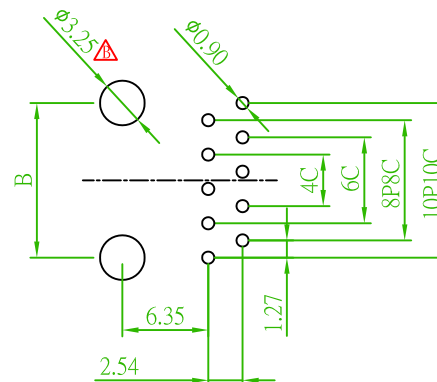
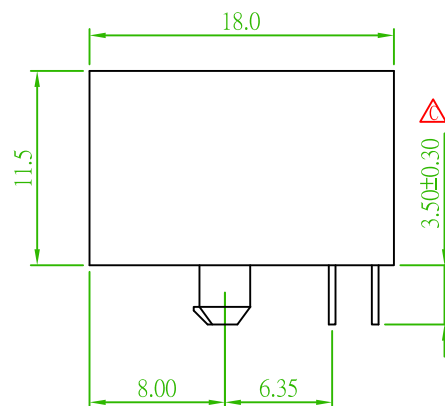
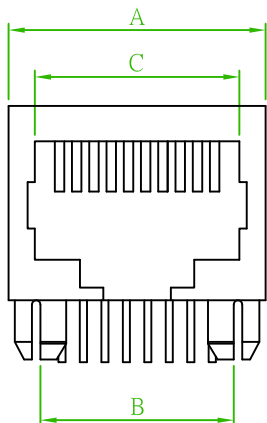
ELECTRICAL

Voltage Rating : 125 V
 Current Rating : 1.5 A
 Contact Resistance : 30 milliohms max.
 Insulation Resistance : 500 megaohms min.
 Dielectric Withstanding Voltage : 1000 V

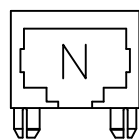
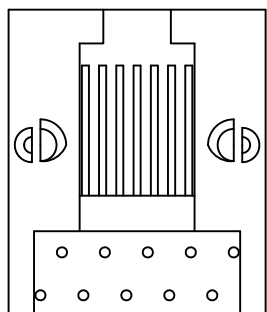
ORDER INFORMATION



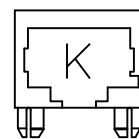
©: Standard Recommend



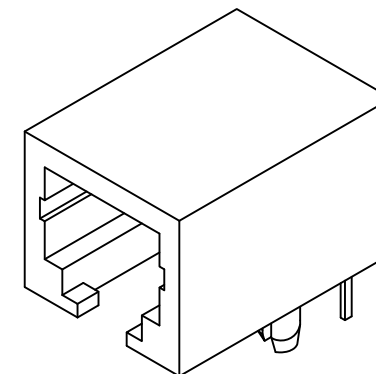
Recommended PCB Layout
 (PCB TOLERANCE ±0.05)



Without Ear



With keyway
 (8P, 10P only)



| POSITION | CONTACT | A | B | C |
|----------|----------|-------|-------|-------|
| 4P | 4C | 11.20 | 7.62 | 7.80 |
| 6P | 2C/4C/6C | 13.20 | 10.16 | 10.00 |
| 8P | 8C | 15.20 | 11.43 | 12.00 |
| 10P | 10C | 15.20 | 11.43 | 12.00 |

| AREA | REV. | DESCRIPTION | DATE |
|------|------|------------------------|--------------------|
| △C | C | ADD Tolerance | 2014/01/29 Joen |
| △B | B | Revised Dim. 3.30→3.25 | 2008/07/08 |

Amtek Technology Co., Ltd.
 TEL: 886-2-2268-8036
 FAX: 886-2-2268-8035

| 品名 TITLE | MODULAR JACK SIDE ENTRY H=11.5 W=18.0 | | | | |
|----------------------|---------------------------------------|-------------|------|----------------|------------|
| 品號 PART NO. | 950-L | | | 日期 DATE | 2008/07/08 |
| 圖號 DRAWING NO. | 950-L | 版本 REV. | C | 繪圖 DRAWN | Sinnys |
| 客戶品號 CUSTOMER P/N | | 比例 SCALE | FREE | 核對 CHECKED | Paul |
| 公差 TOLERANCE | .X ±0.25 .XX ±0.2 | 單位 UNIT | mm | 核准 APPROVED | James |