

Specifications

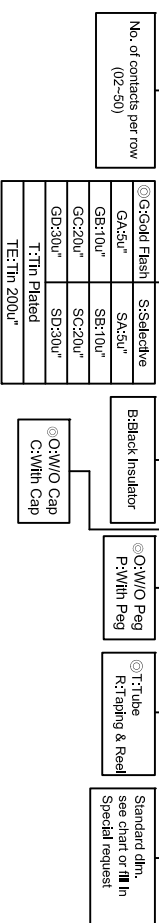
Current Rate: 2 AMP
 Insulation Resistance: 10000M Ω Min.
 Contact Resistance: 20m Ω Max.
 Dielectric voltage: 500V AC for one minute
 Operation Temperature: -40°C to +105 °C

Material
 Insulator: High Temperature Thermoplastic, UL 94V-0
 Contact Pin: Copper Alloy
 Tin, Gold plated ◎ Standard: Gold flash all over

ORDER INFORMATION

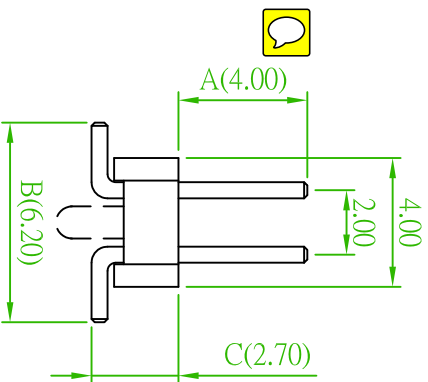
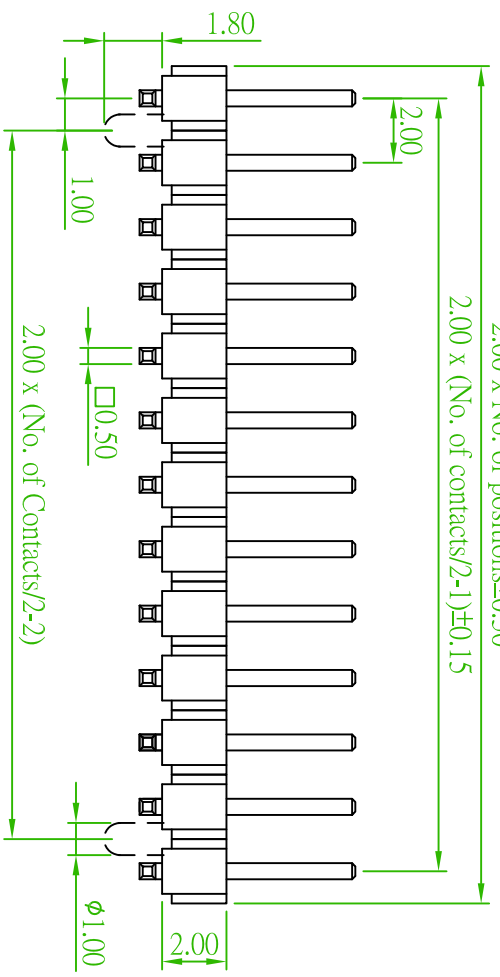
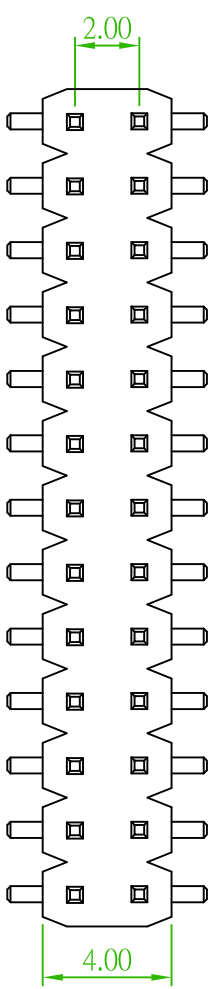
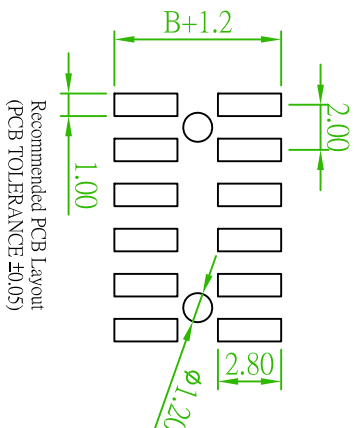
P H 2 M 2 0 - 2 X X X B X X X A/B/C - U

◎ Standard Recommend



◎ Standard Dimensions

Dim A	Dim B	Dim C
3.00	6.20	2.70
Daul row	4.00	6.20



Recommended PCB Layout
 (PCB TOLERANCE ±0.05)

AREA		REV.	DESCRIPTION	DATE
<p style="text-align: center;">Amitek 耀德精密有限公司 Amitek Technology Co., Ltd. TEL: 886-2-2768-8055 FAX: 886-2-2768-8055</p>				
PIN HEADER 2.0mm SMT TYPE				
PLASTIC HEIGHT 2.0mm				
品名	品號	圖號	版本	日期
TITLE	PART NO.	DRAWING NO.	REV.	DATE
PH2M20-2XX-U	PH2M20-2XX-U	PH2M20-2XX-U	A	06/18/2007
客戶品號	客戶品號	比例	核對	核對
CUSTOMER P/N	CUSTOMER P/N	SCALE	CHECKED	CHECKED
公差	公差	單位	核准	核准
TOLERANCE	TOLERANCE	UNIT	APPROVED	APPROVED
X ±0.25	.XX ±0.2	mm	James	Paul
				Mack