

ORDER INFORMATION

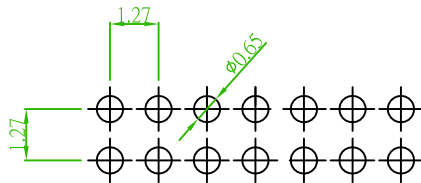
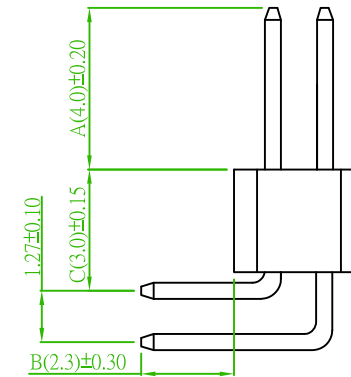
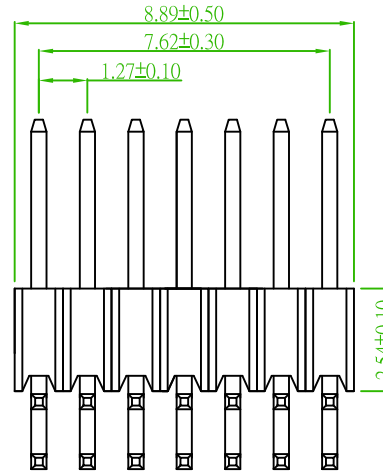
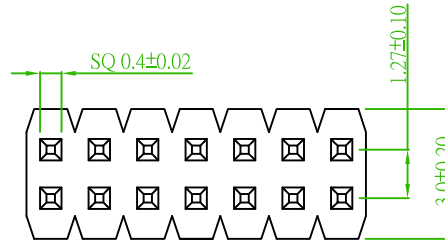
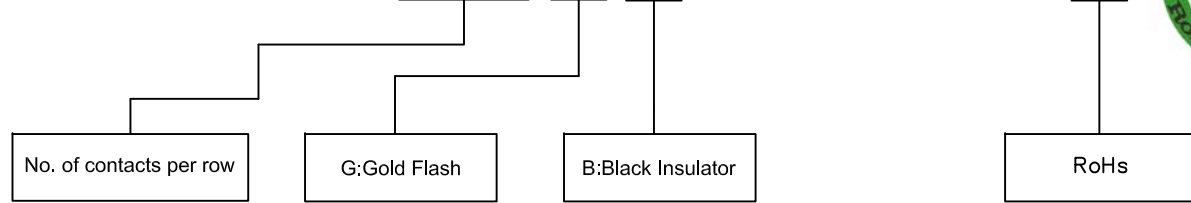
Specifications

Current Rate:1 AMP
 Insulation Resistance:1000M Ω Min.
 Contact Resistance:20m Ω Max.
 Dielectric Voltage:500V AC for one minute
 Operation Temperature:-40°C to +105°C

Material


Insulator:High Temperature Thermoplastic,UL 94V-0
 Contact Pin:Copper Alloy

P H 3 R 2 5 - 2 0 7 G B 4.0/2.3/3.0 - U



Recommended PCB Layout
 (PCB TOLERANCE ±0.05)

REV.	ECN NO. OR DESCRIPTION	REVISED	DATE

 糧德精密有限公司 Amtek Technology Co., Ltd. TEL: 886-2-2260-6878 FAX: 886-2-2260-8030	品名 TITLE	PIN HEADER 1.27x1.27mm RIGHT ANGLE TYPE PLASTIC HEIGHT 2.54mm				
	品號 PART NO.	PH3R25-207GB4.0-2.3-3.0-U			繪圖 DRAWN	Roy 2015/12/29
	圖號 DRAWING NO.	版本 REV.	A	核對 CHECKED	Wanling 2015/12/29	
	客戶品號 CUSTOMER P/N	比例 SCALE	None	承認 APPROVED	John 2015/12/29	
	公差 TOLERANCE	.X ± 0.40 .XX ± 0.25	單位 UNIT	mm	THIRD ANGLE PROJECTION	