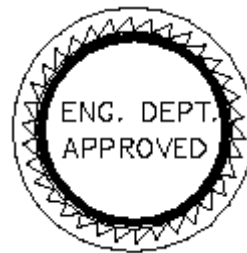


OUTLINE OF CHANGES ON THE DOCUMENT				
Version	Description	Page of modification	Issue by	Issue date
A	First released	-	Miiko	2017.01.11

SPECIFICATION FOR ROCKER SWITCH

ATTENTION	
<p><i>Customer shall acknowledge the datasheet by returning "this cover page with authorized signature" before placing order. Lack of acknowledgement or additional response constitutes acceptance of the herein contents.</i></p> <p>下單前請將此份"規格書封面簽回",未簽回則視為承認本規格書內容.</p>	
Approved By	Entered Date



CUSTOMER : _____

PART NO. : _____

TAIWAY P/N: R19-R112L3F-T3-x-B-DC-15

DATE OF ISSUE: 2017 Aug. 03

ISSUE BY: Junely Chen

APPROVED BY: Amy Yen

TAIWAY ELECTRONICS COMPONENTS CO., LTD.

R19-R112L3F-T3-x-B-DC-15 SPECIFICATION

File No.:

R19-R112L3F-T3-x-B-DC-15

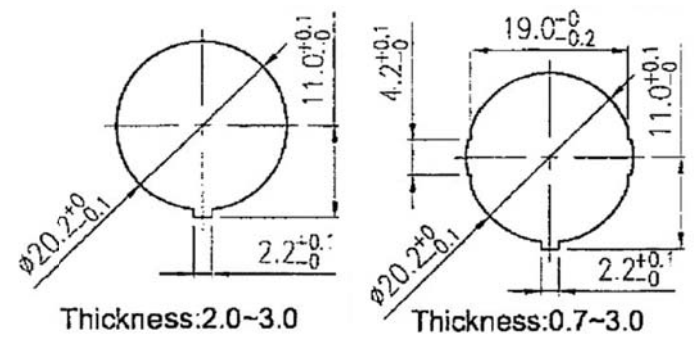
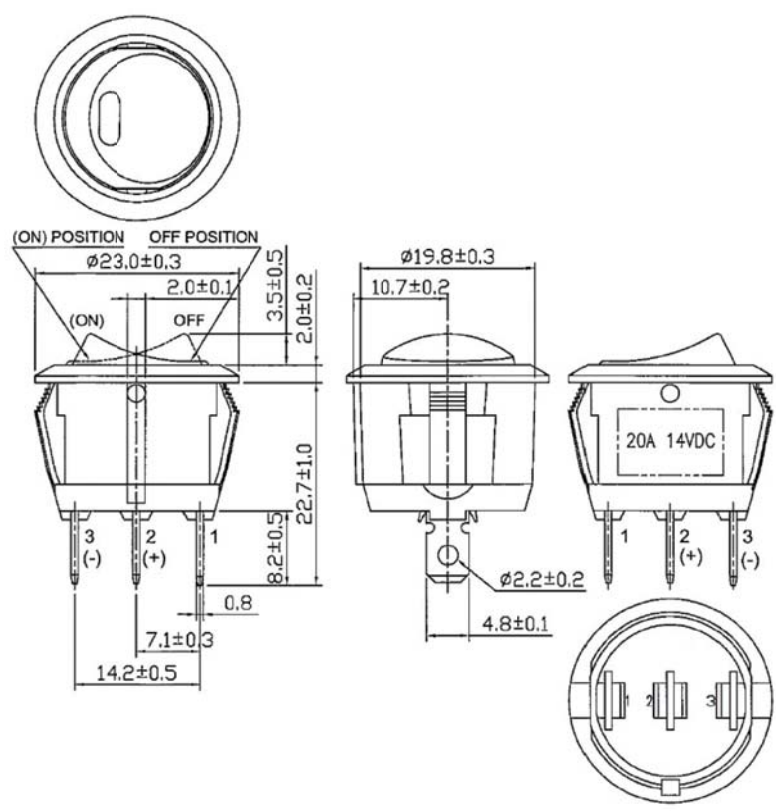
Rev.: A

Page: 1 pages

ELECTRICAL & MECHANICAL CHARACTERISTICS	RATING:	20A 14VDC
	SWITCH FUNCTION:	3P SPST (ON)-OFF (LED DEPENDENT)
	CONTACT RESISTANCE:	Max. 50m-ohms
	INSULATION RESISTANCE:	Min. 100M-ohms (500VDC)
	DIELECTRICAL STRENGTH:	AC 1,500V for 1 minute
	OPERATING TEMPERATURE:	-20celsius degree to 85celsius degree
MATERIAL CHARACTERIS	FRAME:	Black, Nylon66
	ACTUATOR:	Black, Nylon66
	LENS:	PC
	TERMINALS:	Silver plated, copper alloy
	PRINTED:	None
PACKAGE	RoHS IDENTIFI-CATIONS:	A label marking "RoHS compliant" will be attached to the carton box or the smallest quantity package.

REV. 更改	DESCRIPTION 說明	ENG. 修改人	APPROVE 審核
------------	-------------------	-------------	---------------

A
B
C
D
E

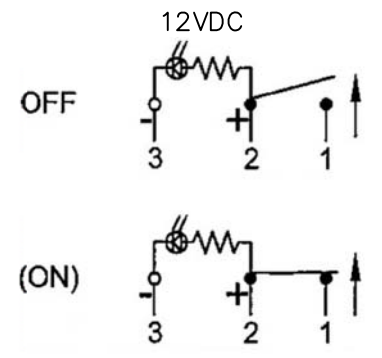


Thickness:2.0~3.0

Thickness:0.7~3.0

Mounting Hole

Lens Color "x"			
1	White	6	Red
2	-	7	Orange/Amber
3	-	8	Green
4	-	9	Blue
5	Yellow		



Circuit Diagram

SPECIFICATIONS:

- 1.Rating: 20A 14VDC
- 2.Contact Resistance: 50m-ohms Max.
- 3.Insulation Resistance: DC500V 100M-ohms Min.
- 4.Dielectric Strength: AC 1500V for 1 minute
- 5.Operating Temperature: -25°C ~ +85°C
- 6.Switch Function: 3P SPST (ON)-OFF (LED dependent)

MATERIALS:

- 1.Frame: Black, Nylon66
- 2.Actuator: Black, Nylon66
- 3.Lens: PC
- 4.Terminals: Silver plated, Copper alloy
- 5.Printed: None

ITEM NO.	R19-R112L3F-T3-x-B-DC-15
料號	YR19-R112L3F-T3-x-B-DC-15

THESE DRAWINGS AND SPECIFICATIONS ARE THE PROPERTY OF TAIWAY ELECTRONICS COMPONENTS LTD. AND SHALL NOT BE REPRODUCED COPIED OR USED IN ANY MANNER WITHOUT THE PRIOR WRITTEN CONSENT OF TAIWAY ELECTRONICS COMPONENTS LTD.
UNLESS OTHERWISE SPECIFIED DIMENSIONS ARE IN MILLIMETERS ANGULAR TOLERANCE: ±1.0°

DIMENSIONS	TOLERANCE
0.00 TO 10.00mm	±0.20mm
10.01 TO 20.00mm	±0.25mm
20.01 TO 30.00mm	±0.30mm
30.01	±0.40mm

泰瑋電子有限公司
TAIWAY ELECTRONICS COMPONENTS CO.,LTD.

USED 用途	R19	APPD. 審核	Amy 2017/01/09
FINISH 處理		CHKD. 校對	Amy 2017/01/09
SCALE 比例	1 / 1	UNIT 單位 (mm)	DR. 製圖
			Miiko 2017/01/09
TITLE 名稱	POWER ROCKER SWITCH		
DWG NO. 圖號	R19-R112L3F-T3-x-B-DC-15		SIZE 圖紙
			A4
FILE NAME 檔案名稱	R19-R112L3F-T3-x-B-DC-15.dwg	SHEET 張	1 / 1
		REV. 更改	1