

Electrical

Standard: UL IEC
 Rated Voltage: 125V 130V
 Rated Current: 8A 7A
 Contact Resin: 20MΩ
 Withstanding Voltage: AC 2000V for one min
 Insulation Resin: 5000MΩ
 Wire Range: 28-16AWG 1.5mm²

Mechanical

Temp. Range: -40°C ~ +105°C
 Torque: 0.2Nm(1.7lb'in)

Material

Housing: Nylon 66, UL94V-0
 Pin Header: Brass, Tin Plated
 Screw: M2, Steel, Zinc Plated
 Wire Guard: Brass, Ni Plated
 Clamp: Phosphor Bronze, Ni Plated

Dimensions

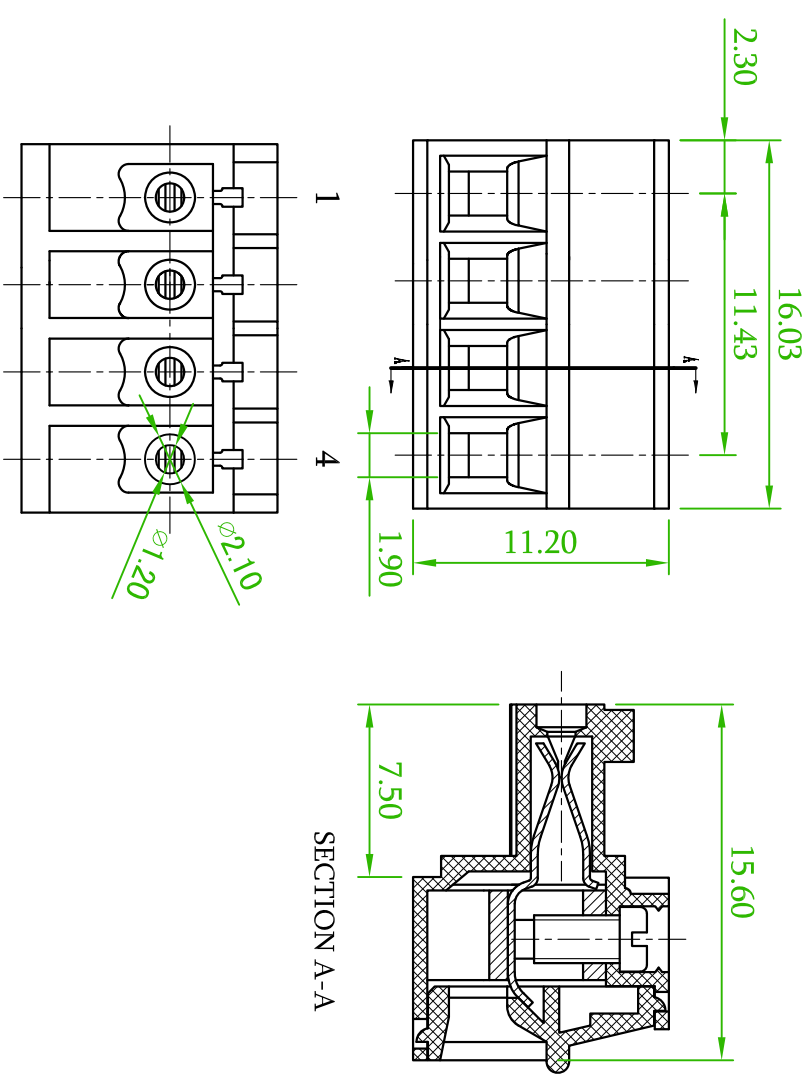
Pitch: 3.81mm
 Poles: 04P

TOLERANCES EXCEPT AS NOTED

	linear dimension	fillet	chamfer	short angle sid	≡	□	//	⊥
variable range	6 to 30	30 to 120	120 to 480	all to 6	6 to 10	10 to 50	50 to 120	all to 5
tolerance	±0.1 to 30	±0.2 to 120	±0.3 to 480	±0.9 to 6	±0.2 to 10	±0.5 to 50	±0.2 to 120	0.5 to 5

ORDER INFORMATION

TB15EK - 3.81 - 04P 1 4 - 000A
 Customer Request
 Series No. Pitch No. of Pole 1:Single Pitch 4:Green L:RHS + Number



AREA	REV.	DESCRIPTION	DATE

Amitek Technology Co., Ltd.
 TEL: 886-2-2666-8855
 FAX: 886-2-2666-8855

耀德企業有限公司
 Amitek Technology Co., Ltd.

品名 TITLE	TB15EK-3.81-04P-14-00A-L		
品號 PART NO.	TB15EK-3.81-04P-14-00A-L		
圖號 DRAWING NO.	A		
客戶品號 CUSTOMER P/N	X ±0.20 .XX ±0.15		
公差 TOLERANCE			
版本 REV.	A		
比例 SCALE	FREE		
單位 UNIT	mm		
繪圖 DRAWN	日期 DATE	核對 CHECKED	核准 APPROVED
Joe	2010/10/29	Kelvin	James