

Electrical

Standard: UL IEC
 Rated Voltage: 300V 320V
 Rated Current: 12A 15A
 Contact Resistance: 20mΩ
 Withstanding Voltage: AC 2000V for one min
 Insulation Resistance: 5000MΩ / 1000V

Mechanical

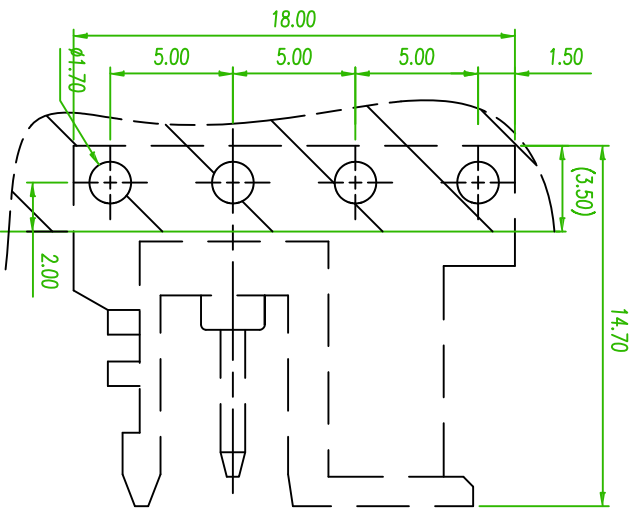
Temp. Range: -40°C ~ +105°C

Material

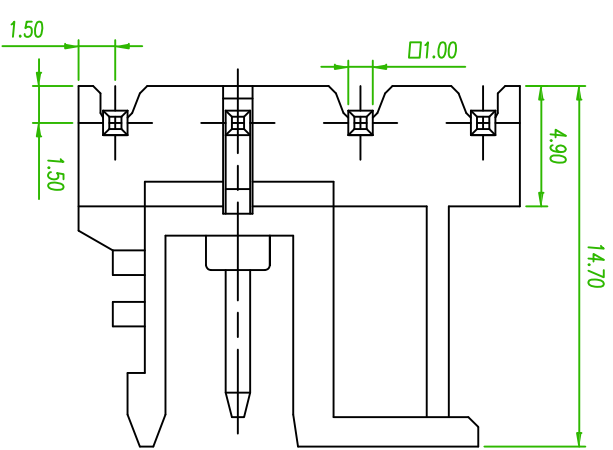
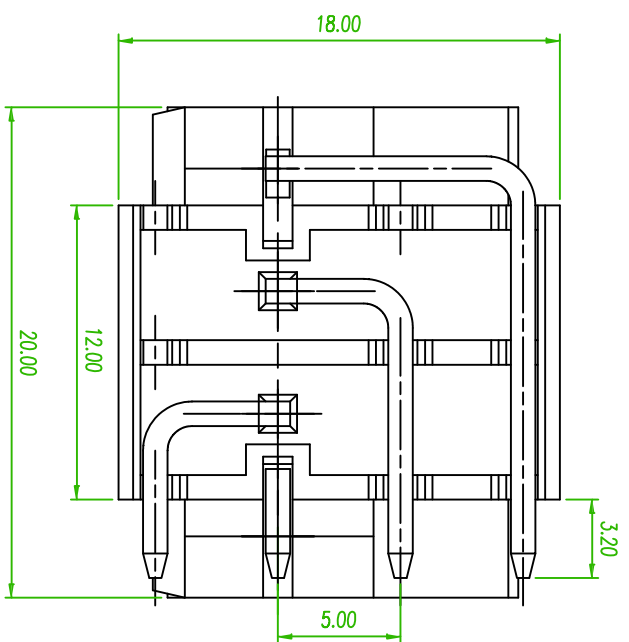
Housing: Nylon 66, UL94V-0
 Pin Header: Brass, Tin Plated

ORDER INFORMATION

TB2ERF - 5.0 - 04P 1 X - 0 - 000A
 Series No. Pitch No. of Pole 1:Single Pitch 1:Gray 2:Blue 3:Black 4:Green 5:Orange 6:Red 7:Trans-parent 8:Brown 9:White
 Customer Request
 L:RoHS + Niore6



P.C.B. LAYOUT



TOLERANCES EXCEPT AS NOTED

	linear dimension	fillet	chamfer	short angle	sid	□	//
variable range	6 to 30	30 to 120	120 to 480	all	6 to 10	5 to 30	6 to 120
tolerance	±0.1 to ±0.2	±0.3 to ±0.5	±0.9 to ±0.5	±0.2 to ±0.5	±1 to 1°	0.5 to 0.025	0.06 to 0.12

AREA	REV.	DESCRIPTION	DATE

<p>Amitek Technology Co., Ltd. 耀德精密有限公司 TEL: 886-2-2698-8895 FAX: 886-2-2698-8895</p>		<p>品名 TITLE TB2ERF-5.0-04P-1X-00A-L</p>	
<p>圖號 DRAWING NO. TB2ERF-5.0-04P-1X-00A-L</p>		<p>日期 DATE 2012/02/21</p>	
<p>客戶品號 CUSTOMER P/N X ±0.20 .XX ±0.15</p>		<p>繪圖 DRAWN Joe</p>	
<p>公差 TOLERANCE</p>		<p>版本 REV. A</p>	
<p>比例 SCALE FREE</p>		<p>核對 CHECKED Sinny's</p>	
<p>單位 UNIT mm</p>		<p>核准 APPROVED James</p>	