

Electrical
 Standard: UL IEC
 Rated Voltage: 250V 320V
 Rated Current: 10A 20A
 Contact Resinstage: 20MΩ
 Withstanding Voltage: AC 2000V for one min
 Insulation Resinstage: 5000MΩ

Mechanical
 Temp. Range: -40°C ~ +105°C

Material
 Housing: Nylon 66, UL94V-0
 Pin Header: Brass, Tin Plated

Dimensions
 Pitch: 5.08mm
 Poles: 2P-24P

ORDER INFORMATION

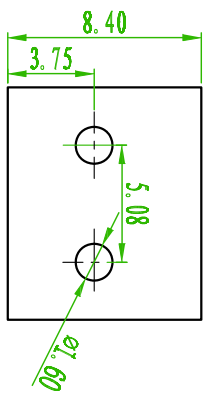
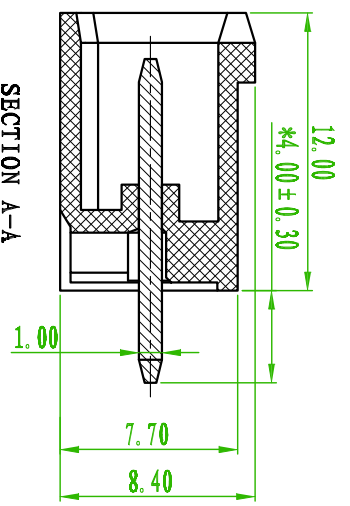
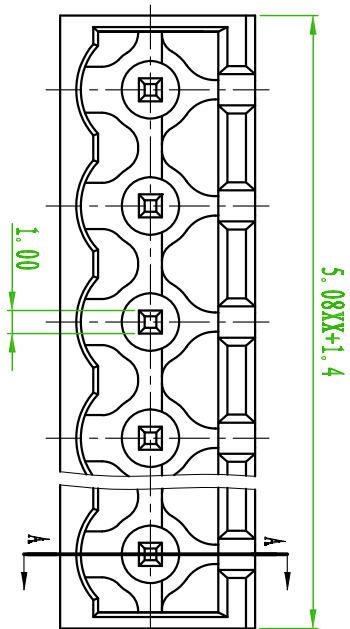
TB2EVC - 5.08 - X X P 1 X - 0 0 A
 Customer Request

Series No. Pitch No. of Pole

1:Single Pitch 2:Dual Pitch

1:Grey 2:Blue 3:Black 4:Green 5:Orange 6:Red 7:Transparent 8:Brown 9:White

L:RoHS + Nylage
 Soldering Temperature:
 200 / 230 C / 5-10 Sec
 *Remark
 B:RoHS
 R:RoHS



TOLERANCES EXCEPT AS NOTED

	linear dimension	fillet	chamfer	short angle sid	≡	□	//	⊥
variable range	over 6 to 30	over 30 to 120	over 120 to 480	all to 6	over 6 to 10	over 10 to 50	over 50 to 120	all to 5
tolerance	±0.1	±0.2	±0.3	±0.5	±0.9	±0.2	±0.5	±1

AREA	REV.	DESCRIPTION	DATE

Amitek 耀德企業有限公司
 Amitek Technology Co., Ltd.
 Tel: 862-2288-8888
 Fax: 862-2288-8888

品名 TITLE	TB2EVC-5.08-XXP-1X-00A-L		
品號 PART NO.	TB2EVC-5.08-XXP-1X-00A-L		
圖號 DRAWING NO.	A		
客戶品號 CUSTOMER P/N	X ±0.20 .XX ±0.15		
公差 TOLERANCE	單位 mm		
日期 DATE	繪圖 DRAWN	核對 CHECKED	核准 APPROVED
	Joe	Paul	James