

**ELECTRICAL**

Standard: UL IEC  
 Rated Voltage: 300V 250V  
 Rated Current: 8A 10A  
 Contact Resistance: 20mΩ  
 Insulation Resistance: 500MΩ / DC 500V  
 Wire Range: 28~16AWG 1.5mm<sup>2</sup>  
 Withstanding Voltage: AC 2000V for one min

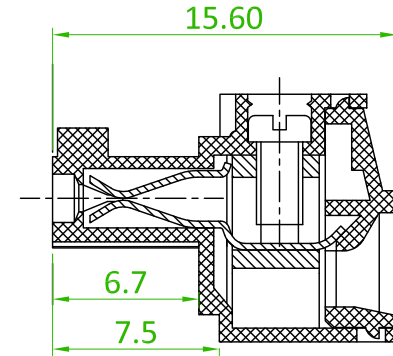
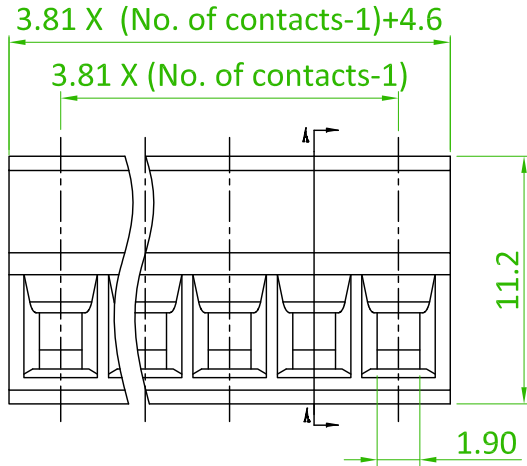
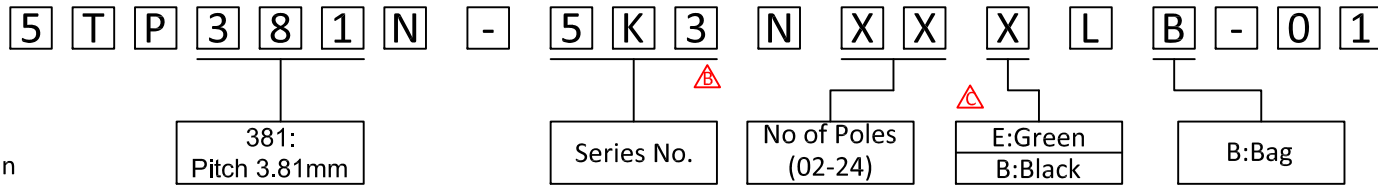
**MECHANICAL**

Temp. Range: -40°C ~ +105°C  
 Torque(Max): 0.2Nm(1.7Lb.in)

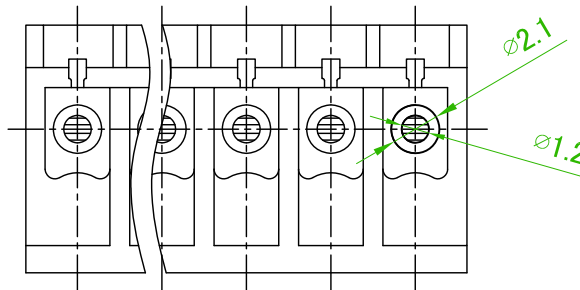
**MATERIAL**

Housing: Nylon66, UL94V-0  
 Screws: M2.0 Steel,Zn Plated  
 Pin Header: Phosphor Bronze,Ni plated  
 Wire Guard: Brass, Ni Plated

**ORDER INFORMATION**



SECTION A-A



Linear Dimension(Tolerances Standard GB/T 14486-2008)														≡	—	□	//	⊥
Variable Range	to 6	over 6 to 10	over 10 to 18	over 18 to 30	over 30 to 50	over 50 to 80	over 80 to 120	over 120 to 160	over 160 to 200	over 200 to 250	to all	to 5	over 5 to 30	over 30 to 120	over 120 to			
Tolerance	±0.1	±0.14	±0.19	±0.25	±0.32	±0.43	±0.57	±0.72	±0.88	±1.05	±1.25	±0.5	0.025	0.06	0.12	0.4		

△	Add the Color option	Roy	2019/01/11
△	1.Revise the Part no.5TP381N-5EKNXXELB-01→5TP381N-5K3NXXELB-01	Eloise	2017/02/09
REV.	ECN NO. OR DESCRIPTION	REVISED	DATE

**糧德精密有限公司**  
 Amtek Technology Co., Ltd.  
 TEL: 886-2-2260-6878  
 FAX: 886-2-2260-8030

品名 TITLE	3.81mm Terminal Block				頁數 Page	1/1
品號 PART NO.	5TP381N-5K3NXXXLB-01			繪圖 DRAWN	Mia 2016/12/19	
圖號 DRAWING NO.	GN011-MC152	版本 REV.	C	核對 CHECKED	Josh 2019/01/11	
客戶品號 CUSTOMER P/N		比例 SCALE	None	承認 APPROVED	Jason 2019/01/11	
公差 TOLERANCE		單位 UNIT	mm	THIRD ANGLE PROJECTION		