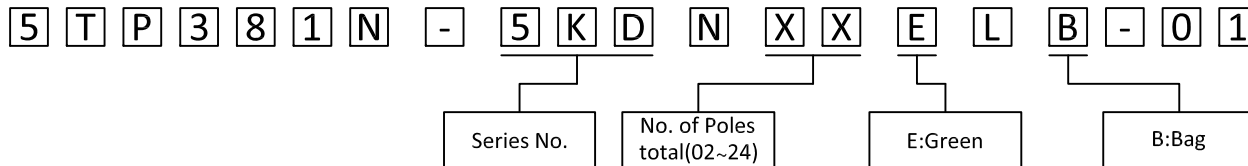


ORDER INFORMATION

Electrical

Standard: UL IEC
 Rated Voltage: 300V 250V
 Rated Current: 8A 13.5A
 Wire Range: 28-16AWG 1.5mm²
 Contact Resistance: 20mΩ
 Withstanding Voltage: AC 2000V for one min
 Insulation Resistance: 500MΩ / DC 1000V

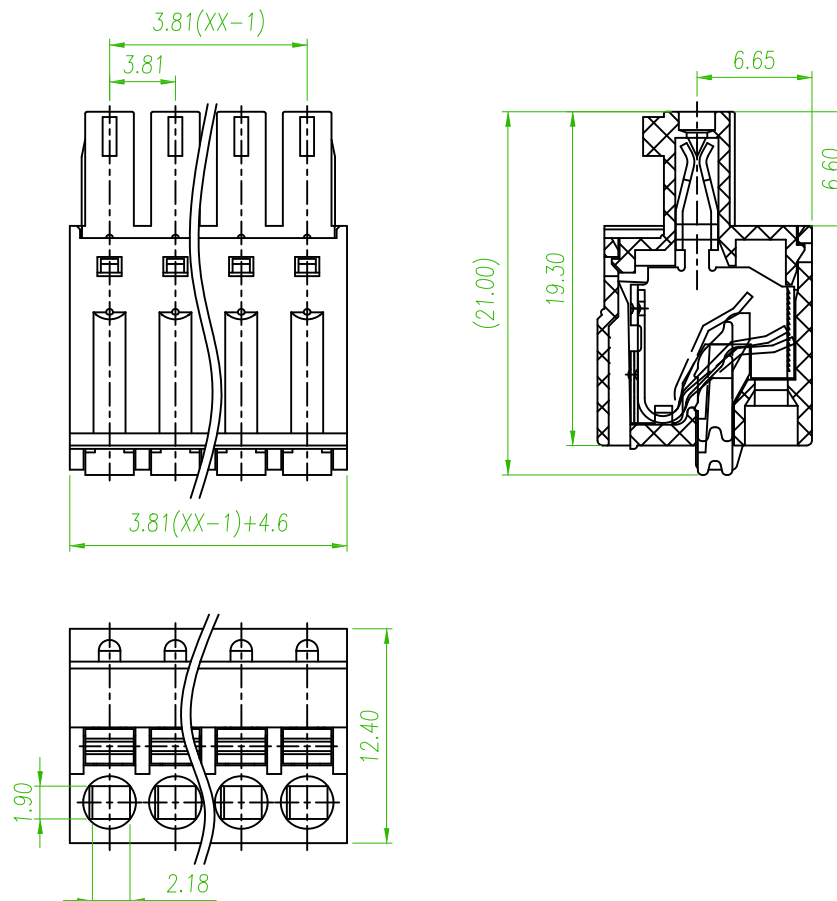


Mechanical

Strip Length: 7~8mm
 Temp. Range: -40°C ~ +105°C

Material


Housing: Nylon 66, UL94V-0
 Clamp: Phosphor Bronze, Ni Plated



variable range	linear dimension				fillet	chamfer		short angle sid			≡	-	□	//	⊥		
	to	over	over	over		to	over	to	to	to							
to 6	6 to 30	30 to 120	120 to 480	to 480	all	to 6	to 10	to 10	to 10	to 10	to 10	to 5	to 30	to 120	to 120		
tolerance	±0.1	±0.2	±0.3	±0.5	±0.9	±0.2	±0.5	±1	1°	30'	20'	10'	0.5	0.025	0.06	0.12	0.4

Old Part No. :TB15EKD-3.81-XXP-14-00A-L

REV.	ECN NO. OR DESCRIPTION	REVISED	DATE

 糧德精密有限公司 Amtek Technology Co., Ltd. TEL: 886-2-2260-6878 FAX: 886-2-2260-8030	品名 TITLE	3.81mm Terminal Block			頁數 Page	1/1
	品號 PART NO.	5TP381N-5KDNXXELB-01			繪圖 DRAWN	Jeff 2012/11/06
	圖號 DRAWING NO.	GN011-RR896	版本 REV.	A	核對 CHECKED	Roy 2012/11/06
	客戶品號 CUSTOMER P/N		比例 SCALE	None	承認 APPROVED	John 2012/11/06
	公差 TOLERANCE		單位 UNIT	mm	THIRD ANGLE PROJECTION	