

SPECIFICATIONS

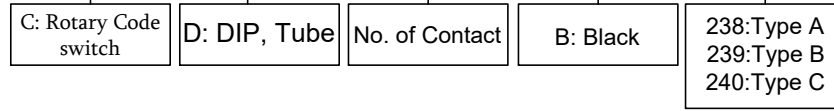
Current Rating: 25mA,24V DC
 100mA,50V DC
 Insulator Resistance: 100MΩ Min.
 Contact Resistance: 100mΩ Max.
 Dielectric Voltage: 250V AC for one minute
 Operating temperature: -25°C ~ +80°C

MATERIAL

Insulator: Hi-Temp. Thermoplastic,UL94V-0,Black

ORDER INFORMATION

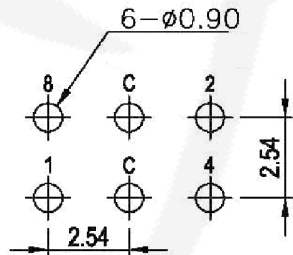
6 4 S W T - C D 6 B X X X



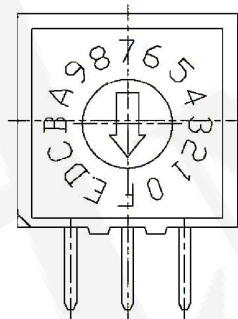
TYPE	POSITION	CODE			
		1	2	4	8
10 STEP	0	●	●	●	●
	1	○	●	●	●
	2	●	○	●	●
	3	○	○	●	●
	4	●	●	○	●
	5	○	●	○	●
	6	●	○	○	●
	7	○	○	○	●
	8	●	●	●	○
	9	○	●	●	○
16 STEP	A	●	○	●	○
	B	○	○	●	○
	C	●	●	○	○
	D	○	●	○	○
	E	●	○	○	○
	F	○	○	○	○

AMTEK 糧德
 2022.04.11
 Released DCC

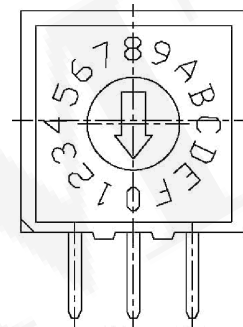
CIRCUIT CHART



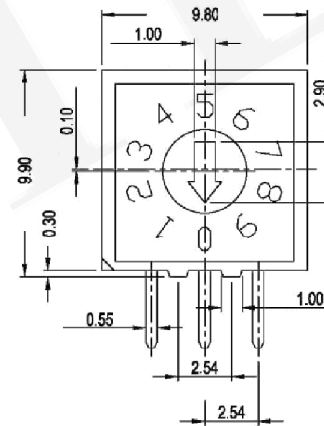
P.C.B. LAYOUT



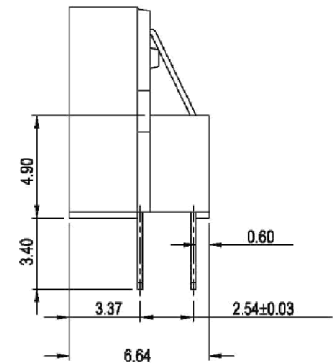
Type A



Type B



Type C



<p>糧德精密有限公司 Amtek Technology Co., Ltd. TEL: 886-2-2260-6878 FAX: 886-2-2260-8030</p>	品名 TITLE	ROTARY CODE SWITCH			頁數 Page	1/1
	品號 PART NO.	64SWT-CD6BXXX			繪圖 DRAWN	Andy
	圖號 DRAWING NO.	GW173-AA428	版本 REV.	B	核對 CHECKED	Josh
	客戶品號 CUSTOMER P/N		比例 SCALE	1 : 1	承認 APPROVED	Jason
	公差 TOLERANCE	± 0.20	單位 UNIT	mm	THIRD ANGLE PROJECTION	

REV.	ECN NO. OR DESCRIPTION	REVISED	DATE
Bx1	Add the circuit chart	Alice	2022/04/11