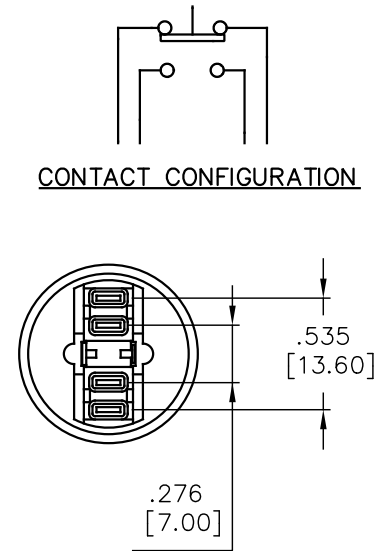
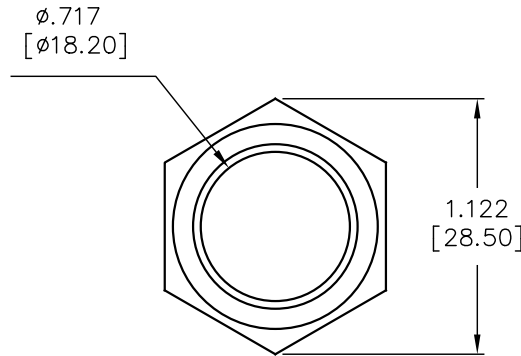
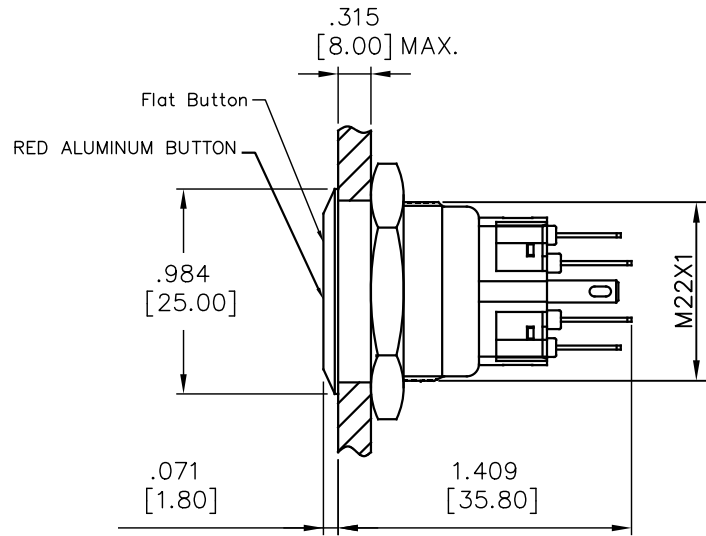


REV. 更改	DESCRIPTION 說明	ENG. 修改人	APPROVE 審核



SPECIFICATIONS:

- 1.Electrical Life: 50,000cycles.
- 2.Contact Resistance: 50mΩ max (initial).
- 3.Insulation Resistance: 1,000MΩ min @ 500VDC.
- 4.Dielectric Strength: 2,000V RMS 50~60Hz.
- 5.Operating Temperature: -25°C ~ +55°C.
- 6.Switching Circuit: ON-MOM.
- 7.Torque: 0.6Nm max. applied to nut.
- 8.Operating Force: 600±100gf.
- 9.IP Class: IP65 protection.
- 10.Actuation Travel: 2.5mm.
- 12.IK Rating: IK08.

MATERIALS:

- 1.Bushing & Button: Refer to table
- 2.Contact: Gold over silver alloy.
- 3.Nut: Nickel plated brass.
- 4.Base: PA.

Rated insulation voltage (Ui)		250V				
Thermal current (Ith)		5A Max.				
Rated voltage		12V	24V	110V	220V	
Rated current	AC 50/60Hz	Resistive load	--	--	5A	3A
		Inductive load	--	--	3A	2A
	DC	Resistive load	5A	5A	1A	0.5A
		Inductive load	2A	2A	0.2A	0.1A

Code	Bushing & Button Material
B15	Stainless Steel With Red Aluminum Button

ITEM NO.	AV02-B15-M3-F
料號	YAV02-B15-M3-F-77

THESE DRAWINGS AND SPECIFICATIONS ARE THE PROPERTY OF TAIWAY ELECTRONICS COMPONENTS LTD. AND SHALL NOT BE REPRODUCED COPIED OR USED IN ANY MANNER WITHOUT THE PRIOR WRITTEN CONSENT OF TAIWAY ELECTRONICS COMPONENTS LTD.	
UNLESS OTHERWISE SPECIFIED DIMENSIONS ARE IN MILLIMETERS ANGULAR TOLERANCE: ±1.0°	
DIMENSIONS	TOLERANCE
0.00 TO 10.00mm	±0.20mm
10.01 TO 20.00mm	±0.25mm
20.01 TO 30.00mm	±0.30mm
30.01	±0.40mm

泰瑋電子有限公司
TAIWAY ELECTRONICS COMPONENTS CO.,LTD.

USED 用途	AV	APPD. 審核	Amy 2017/12/20	
FINISH 處理		CHKD. 校對	Amy 2017/12/20	
SCALE 比例	1 / 1	UNIT 單位	in(mm)	DR. 製圖
TITLE 名稱	Anti-Vandal Switch		Junely 2017/12/20	
DWG NO. 圖號	AV02-B15-M3-F		SIZE 圖紙	A4
FILE NAME 檔案名稱	AV02-B15-M3-F.dwg	SHEET 張	1 / 1	REV. 更改
				1