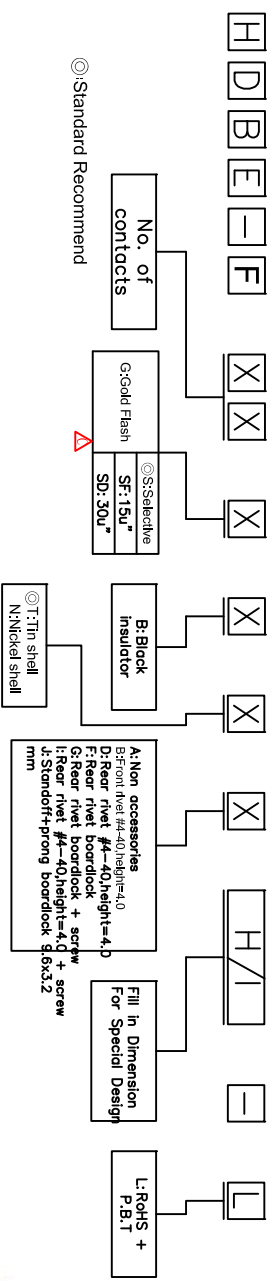
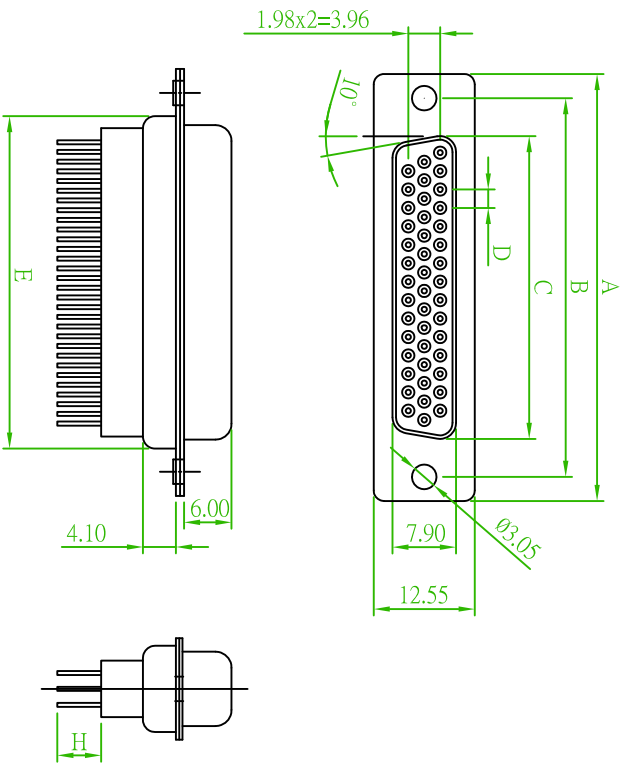
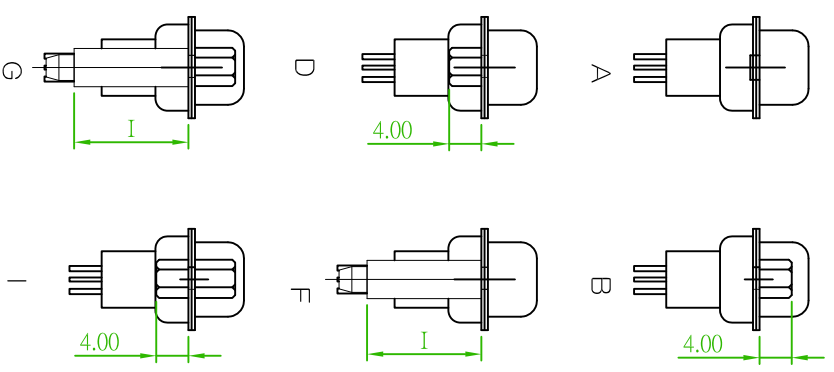


### ORDER INFORMATION



### Specifications

Current Rate:3 AMP  
 Insulation Resistance:1000M Ω Min  
 Contact Resistance:20m Ω Max  
 Dielectric voltage:500V AC for one minute  
 Operation Temperature:-55°C to +105°C  
**Material**  
 Insulator:PBT+30% Glass Fiber(UL94V-0)  
 Contact Pin:F:Phosphor Bronze or Brass  
 M:Brass



Positions	A	B	C	D	E	H	I
15	30.81	24.99	16.92	2.29	19.20	3.60	9.60
26	39.14	33.32	25.50	2.29	27.70	5.40	11.1
44	53.04	47.04	38.96	2.29	41.10	7.20	12.7
62	69.32	63.50	55.42	2.41	57.30		

△	C	Revised the options of plated	2010/09/21
△	B	Revised the options of plated	2010/08/12
△	REV.	DESCRIPTION	DATE

**Amtek Technology Co., Ltd.**  
 耀德企業有限公司  
 TEL:86-25-2686-8835  
 FAX:86-25-2686-8833

品名	D-SUB HIGH DENSITY P.C.B STRAIGHT ELEVATED TYPE		
品號	HDBE-FXX-L		
圖號	HDBE-FXX-L	版本	C
客戶品號	CUSTOMER P/N	比例	FREE
公差	TOLERANCE	單位	mm
		核對	CHECKED
		核准	APPROVED
日期	DATE	繪圖	DRAWN
	12/18/2006	核對	CHECKED
		核准	APPROVED
		Paul	James

