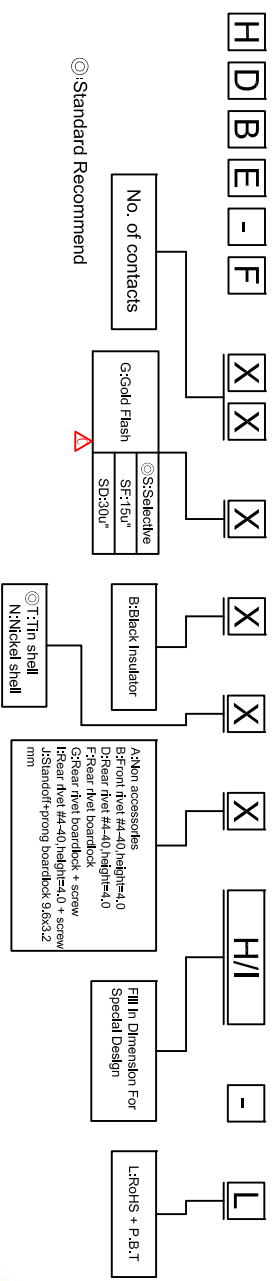


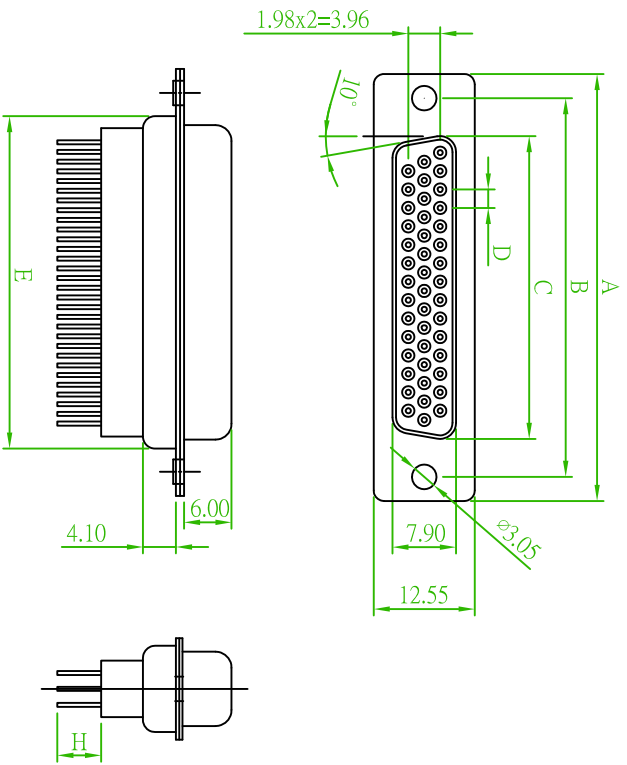
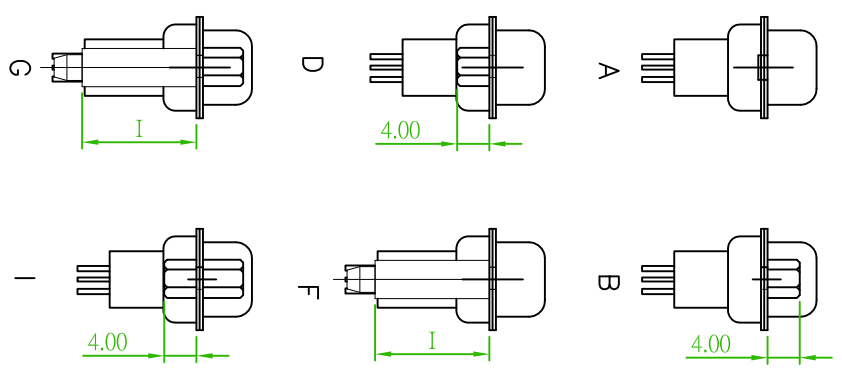
ORDER INFORMATION



Standard Recommend

Specifications


Current Rate: 3 AMP
 Insulation Resistance: 1000M Ω Min
 Contact Resistance: 20m Ω Max
 Dielectric voltage: 500V AC for one minute
 Operation Temperature: -55°C to +105°C
Material
 Insulator: PBT+30% Glass Fiber (UL94V-0)
 Contact Pin: F: Phosphor Bronze or Brass
 M: Brass



Dimensions

Positions	A	B	C	D	E	H	I
15	30.81	24.99	16.92	2.29	19.20	3.60	9.60
26	39.14	33.32	25.50	2.29	27.70	5.40	11.1
44	53.04	47.04	38.96	2.29	41.10	7.20	12.7
62	69.32	63.50	55.42	2.41	57.30		

AREA	REV.	DESCRIPTION	DATE
A	C	Revised the options of plated	2010/09/21
B	B	Revised the options of plated	2010/08/12



Amtek
 耀德企業有限公司
 Amtek Technology Co., Ltd.
 TEL: 886-2-2688-8888
 FAX: 886-2-2688-8889

品名 TITLE	D-SUB HIGH DENSITY P.C.B STRAIGHT ELEVATED TYPE		
品號 PART NO.	HDBE-FXX-L		
圖號 DRAWING NO.	HDBE-FXX-L		
客戶品號 CUSTOMER P/N	X ±0.25		
公差 TOLERANCE	.XX ±0.2		
版本 REV.	C		
比例 SCALE	FREE		
單位 UNIT	mm		
日期 DATE	12/18/2006	繪圖 DRAWN	Kent
核對 CHECKED	Paul	核准 APPROVED	James

