

Electrical

Standard: UL IEC
 Rated Voltage: 300V 320V
 Rated Current: 15A 20A
 Contact Resistance: 20MΩ
 Withstanding Voltage: AC 2000V for one min
 Insulation Resistance: 500MΩ / DC 500V
 Wire range: 22-14AWG 2.5mm²(IEC)

Mechanical

Temp. Range: -40°C ~ +105°C
 Torque: 0.5Nm(4.51b'in)
 Strip length: 7-8mm

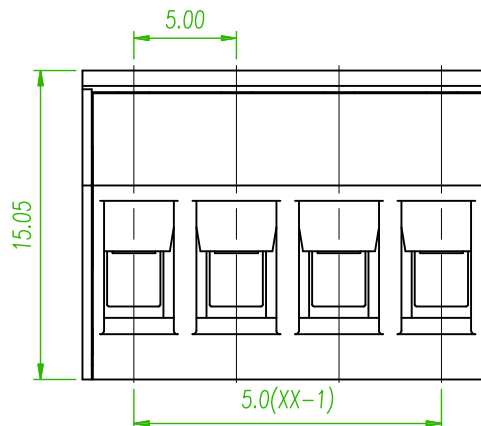
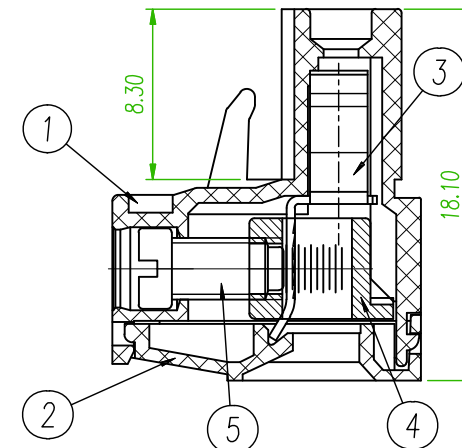
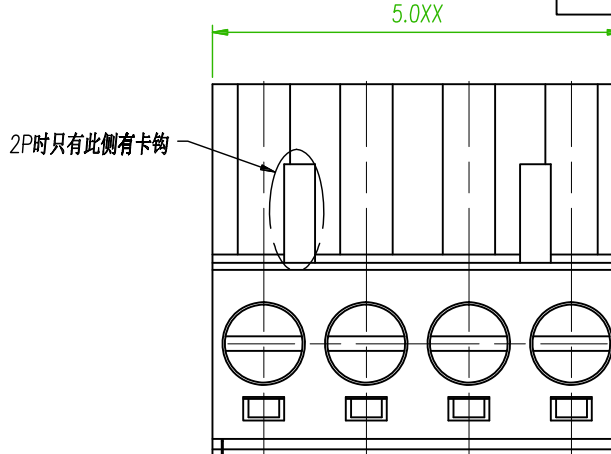
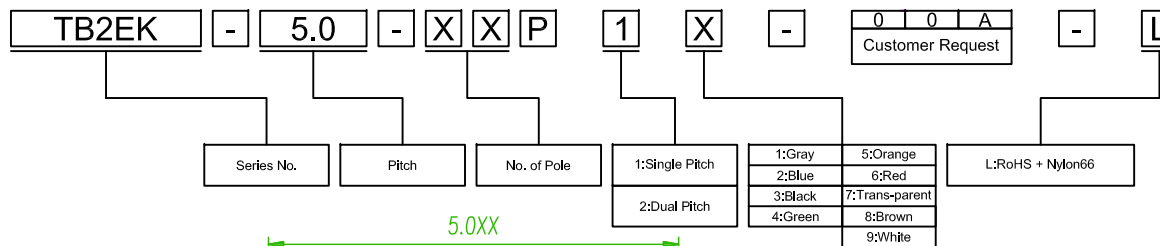
Material

Housing: Nylon 66, UL94V-0
 Clamp: Brass, Ni Plated
 Screw: M3, Steel Zinc Plated
 Caga: Brass, Ni Plated

Dimensions

Pitch: 5.08mm
 Poles: 2P-24P

ORDER INFORMATION



		linear dimension(Tolerances Standard GB/T 14486-2008)										fillet	chamfer	∠ short angle sid			≡	—	∥	⊥				
variable range	to	over 6 to 10	over 10 to 18	over 18 to 30	over 30 to 50	over 50 to 80	over 80 to 120	over 120 to 160	over 160 to 200	over 200 to 250	over 250 to	all	to 6	to 10	to 50	to 120	all	to 5	over 5 to 30	over 30 to 120	over 120 to			
tolerance		±0.1	±0.14	±0.19	±0.25	±0.32	±0.43	±0.57	±0.72	±0.88	±1.05	±1.25	±0.2	±0.5	±1	1'	30'	20'	10'	0.5	0.025	0.06	0.12	0.4

Amtek Technology Co., Ltd.
 TEL:886-2-2268-8038
 FAX:886-2-2268-8035

品名 TITLE	TB2EK-5.0-XXP-1X-00A-L				
品號 PART NO.	TB2EK-5.0-XXP-1X-00A-L			日期 DATE	2008/12/03
圖號 DRAWING NO.	版本 REV.	C	繪圖 DRAWN	Joe	
客戶品號 CUSTOMER P/N	比例 SCALE	FREE	核對 CHECKED	Paul	
公差 TOLERANCE	.X ±0.20 .XX ±0.15	單位 UNIT	mm	核准 APPROVED	James

△C	C	Update Drawing	2013/01/16
△B	B	Update Drawing	2010/01/28
AREA	REV.	DESCRIPTION	DATE