

ORDER INFORMATION

TBZEK - 5.08 - X X P 1 X - 0 0 A
 Customer Request

Series No. Pitch No. of Pole
 1:Single Pitch 2: Dual Pitch
 1:1Gray 2:Blue 3:Black 4:Green 5:Orange 6:Red 7:Transparent 8:Brown 9:White

L:RoHS + N/A
 Soldering Temperature: 200 / 230 °C / 5-10 Sec
 *Remark Blank:Non RoHS



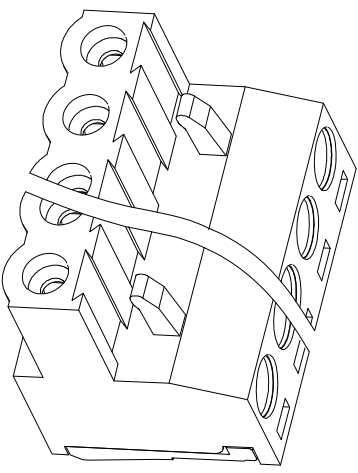
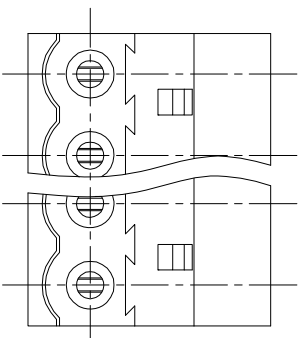
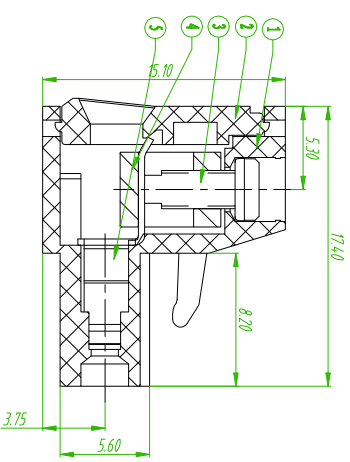
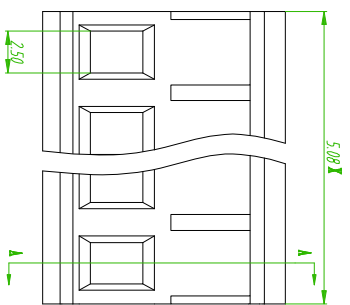
Material
 Wire guard: Phosphor bronze, Ni plated
 Housing: Ny66, UL94V-0
 Clamp: Brass, Ni plated
 Screws: M2.5, Iron, Zinc plated
 Poles Available: 2-24P
Electrical
 Screws: 250V
 Rated current: 10A
 Contact resistance: 20mΩ
 Insulation resistance: 5000MΩ/1000V
 Withstanding voltage: AC2000V/1Min
 Wire range: 28-12AWG(UL) 2.5mm (IEC)

Mechanical
 Temp. Range: -40°C~+105°C
 MAX Soldering: +250°C 5Sec.
 Strip length: 7-8mm
 Torque: 0.4Nm(3.61b.in)

5.	簧片	1021B00010V	X	磷青銅	
4.	方块	C000000170V	X	(H62)黃銅	
3.	螺絲	SSM0250010V	X	鉄	
2.	蓋板	1022CYXXAV	1	NY66	UL94V-0
1.	TBZEDGK-5.08-XP	1022AVXXAV	1	NY66	UL94V-0
NO.	NAME OF PART	NO. OF PART	QTY	MATERIAL	NOTES

TOLERANCES EXCEPT AS NOTED

linear dimension	fit/rel	character	short angle sid	≡	∇	//	⊥
variable range	over to	over to	over to	over to	over to	over to	over to
6	±0.1	±0.2	±0.3	±0.5	±0.9	±0.2	±0.5
30	±0.1	±0.2	±0.3	±0.5	±1	±1	±1
120	±0.1	±0.2	±0.3	±0.5	±1	±1	±1
480	±0.1	±0.2	±0.3	±0.5	±1	±1	±1
6	±0.1	±0.2	±0.3	±0.5	±1	±1	±1
30	±0.1	±0.2	±0.3	±0.5	±1	±1	±1
120	±0.1	±0.2	±0.3	±0.5	±1	±1	±1
5	±0.1	±0.2	±0.3	±0.5	±1	±1	±1
30	±0.1	±0.2	±0.3	±0.5	±1	±1	±1
120	±0.1	±0.2	±0.3	±0.5	±1	±1	±1



AREA	REV.	DESCRIPTION	DATE

品名	TITLE	品號	PART NO.	圖號	DRAWING NO.	客戶品號	CUSTOMER P/N	公差	TOLERANCE	單位	SCALE	日期	DATE	繪圖	DRAWN	核對	CHECKED	核准	APPROVED
	TBZEK-5.08-XXP-1X-00A-L		TBZEK-5.08-XXP-1X-00A-L					X ±0.35 XX ±0.25		mm	FREE	2009/06/24		Sam		Paul		James	

耀德企業有限公司
 Amitek Technology Co., Ltd.
 Tel: 86-2-2286-8888
 Fax: 86-2-2286-8889