

Electrical

Standard: UL IEC
 Rated Voltage: 300V 250V
 Rated Current: 15A 20A
 Contact Resinstate: 20mΩ
 Withstanding Voltage: AC 2000V for one min
 Insulation Resinstate: 500MΩ / DC 500V
 Wire Range: 28-14AWG 2.5mm²

Mechanical

Temp. Range: -40°C ~ +105°C
 Torque: 0.5Nm(4.5lb'in)
 Strip Length: 7-8mm

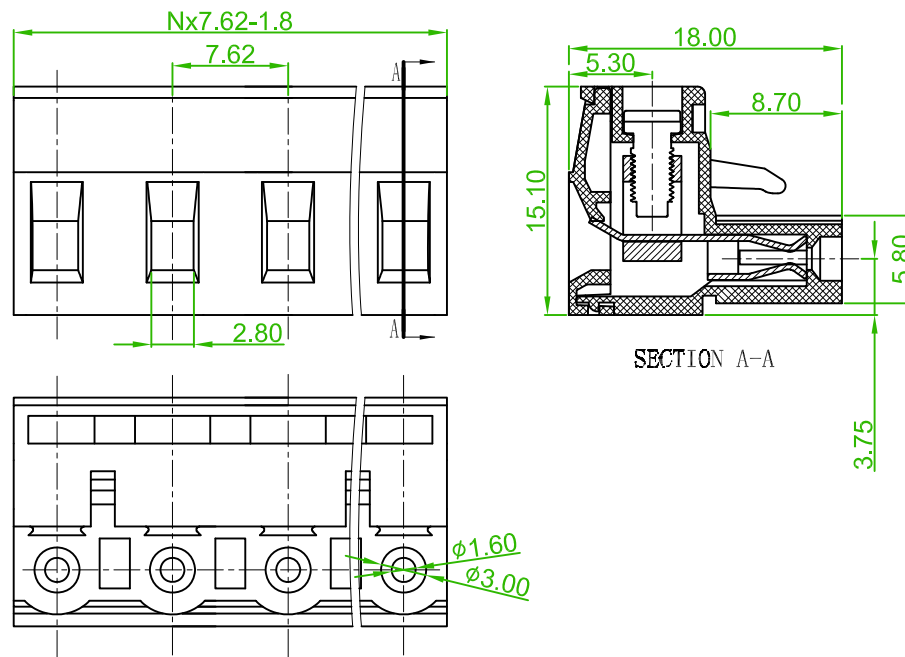
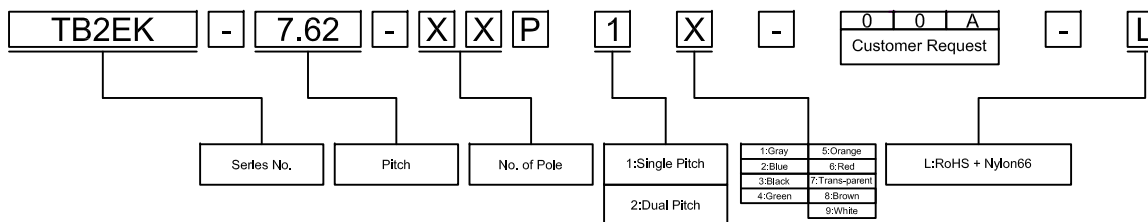
Material

Housing: Nylon 66, UL94V-0
 Clamp: Phosphor Bronze, Ni Plated
 Screw: M3.0, Steel, Zinc Plated
 Wire Guard: Brass, Ni Plated

Dimensions

Pitch: 7.5mm
 Poles: 02P~24P

ORDER INFORMATION



TOLERANCES EXCEPT AS NOTED

variable range	linear dimension				fillet	chamfer	short angle sid				≡	—	□	//	⊥	
	to 6	to 30	to 120	to 480	all	to 6	to 10	to 30	to 50	to 120						all
tolerance	±0.1	±0.2	±0.3	±0.5	±0.2	±0.5	±1	1'	30'	20'	10'	0.5	0.025	0.06	0.12	0.4

AREA	REV.	DESCRIPTION	DATE
C		1.Add the Color Option & Revised the Drawing 2.Revised the Part No.:TB2EK-7.5-XXP-14-00A-L->TB2EK-7.5-XXP-1X-00A-L	2012/10/04 Jeff
B		Add the Order Information & Revised the Drawing & Part No.:TB2EK-7.62-XXP-1X-00A-L -> TB2EK-7.62-XXP-14-00A-L	2011/08/29 Joe

Amtek Technology Co., Ltd.
 TEL:886-2-2268-8036
 FAX:886-2-2268-8035

品名 TITLE	TB2EK-7.62-XXP-1X-00A-L				
品號 PART NO.	TB2EK-7.62-XXP-1X-00A-L	日期 DATE	2008/12/03		
圖號 DRAWING NO.		版本 REV.	C	繪圖 DRAWN	Joe
客戶品號 CUSTOMER P/N		比例 SCALE	FREE	核對 CHECKED	Paul
公差 TOLERANCE	.X ±0.20 .XX ±0.15	單位 UNIT	mm	核准 APPROVED	James